

# ST5/10-Q Quick Setup Guide



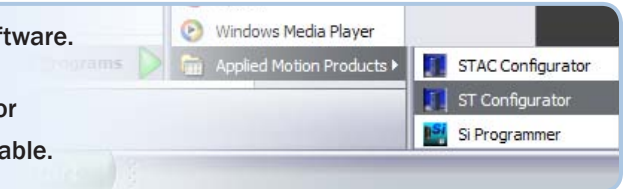
## Requirements

To begin, make sure you have the following equipment:

- A compatible stepper motor.
- A small flat blade screwdriver for tightening the connectors (included).
- A personal computer running Microsoft Windows 98, NT, Me, 2000, XP, Vista, 7, 8 or 10.
- *ST Configurator™* and *Q Programmer* software (available at [www.applied-motion.com](http://www.applied-motion.com)).
- For RS-232 and RS-485 models: an Applied Motion programming cable (included).
- For drives with Ethernet option: a CAT5 network cable (not included).
- For more detailed information, please download and read the *ST5/10-QSiC Hardware Manual*, available at [www.applied-motion.com/support/manuals](http://www.applied-motion.com/support/manuals).

## Step 1

- Download and install the *ST Configurator™* and *Q Programmer* software.
- Launch the software by clicking:  
Start / Programs / Applied Motion Products / ST Configurator
- Connect the drive to your PC using the appropriate programming cable.



## Step 2

- Wire the drive to the DC power source.  
**(do not apply power until all connections to the drive have been made)**

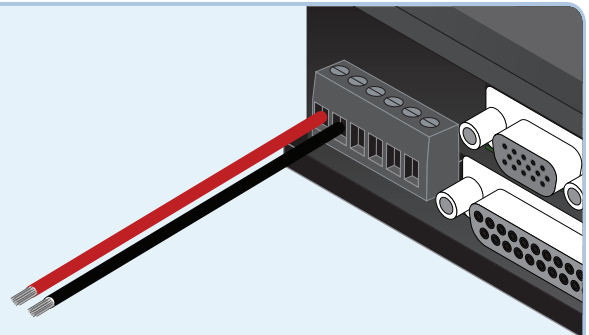
Note, the ST5-Q accepts DC voltages from 24-48V, while the ST10-Q accepts DC voltages from 24-80V.

If using an external fuse, we recommend the following:

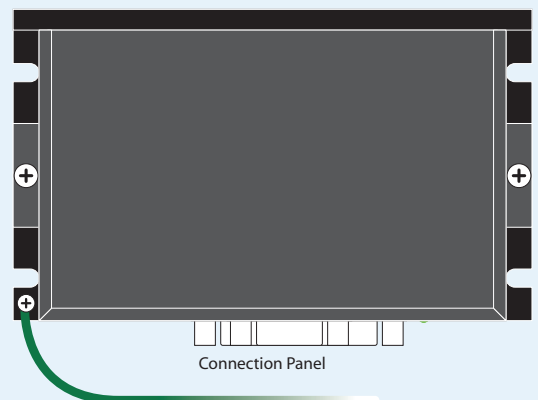
**ST5-Q:** 3AG, 7 amp (Littlefuse 313007P)

**ST10-Q:** 3AG, 7 amp (Littlefuse 313007P)

See the ST5/10-QSiC Hardware Manual for more information about power supply and fuse selection.



- Ensure a proper earth ground connection by using the screw on the left side of the chassis.



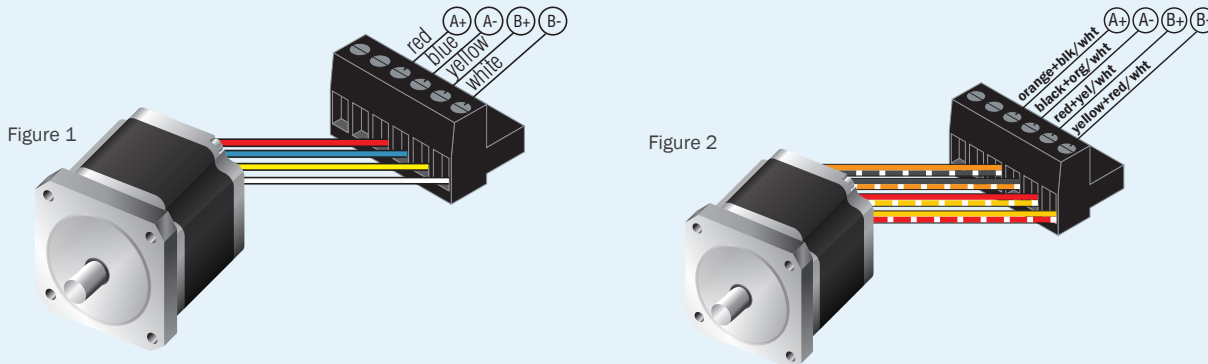
## Step 3

**Warning - If you are using a non-Applied Motion motor, do not connect the motor until after you have configured the drive for your motor. Refer to Step 5.**

Connect the drive to the motor. Four lead motors can be connected in only one way, as shown in Figure 1.

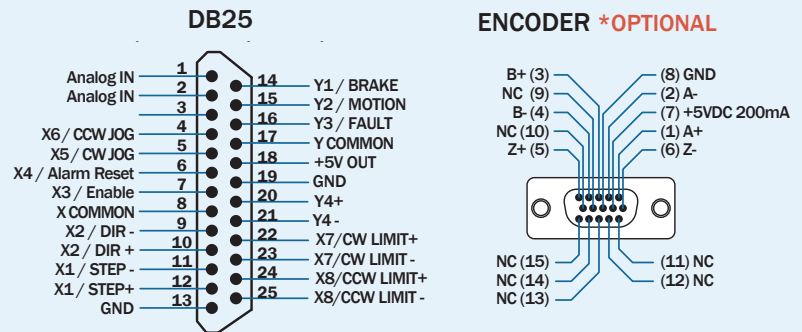
We recommend that eight lead motors be connected in parallel, as shown in Figure 2.

If using a non-Applied Motion Products motor, please refer to your motor specs for wiring information.



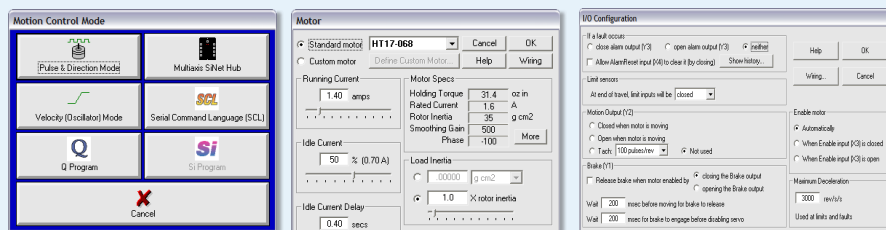
## Step 4

- Connect the I/O
- Connect the Encoder (optional)
- Connect to RS485 or Ethernet network (optional)



## Step 5

- Apply power to the drive.
- Follow the configuration instructions in the *ST Configurator™* help screens. The *ST Configurator™* software can be used to set up your drive for operation in several different modes including: pulse & direction, analog velocity, SCL, and Q programming. *ST Configurator™* includes a self test option (under the Drive menu) to verify that the motor and power supply are correctly wired and configured.
- Use *Q Programmer™* to build and test your program.



If you have any questions or comments, please call Applied Motion Products Customer Support: (800) 525-1609, or visit us online: [www.applied-motion.com](http://www.applied-motion.com).



404 Westridge Dr.  
Watsonville, CA 95076  
Tel: 800-525-1609  
[www.applied-motion.com](http://www.applied-motion.com)