

ST5/10-C Quick Setup Guide

Requirements

To begin, make sure you have the following equipment:

- A small flat blade screwdriver for tightening the connectors (included).
- A personal computer running Microsoft Windows 98, 2000, ME, NT, XP, Vista, 7, 8 or 10.
- *ST Configurator™* software (available at www.applied-motion.com).
- An RS-232 Applied Motion programming cable (included)
- 4 pin spring connector (included) for connecting to the CAN network.
- A compatible stepper motor
- For more detailed information, please download and read the *ST-QSiC Hardware Manual*, available at www.applied-motion.com/support/manuals.

Step 1 - Wiring

- Wire the drive to the DC power source.

(Do not apply power until Step 3.)

Note, the ST5-C accepts DC voltages from 24-48V, while the ST10-C accepts DC voltages from 24-80V.

If using an external fuse, we recommend the following:

ST5-C: 7 amp fast acting

ST10-C: 7 amp fast acting

See the hardware manual for information about power supply selection.

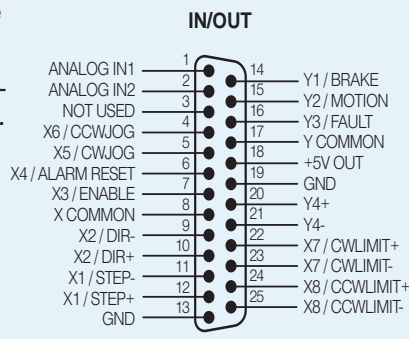
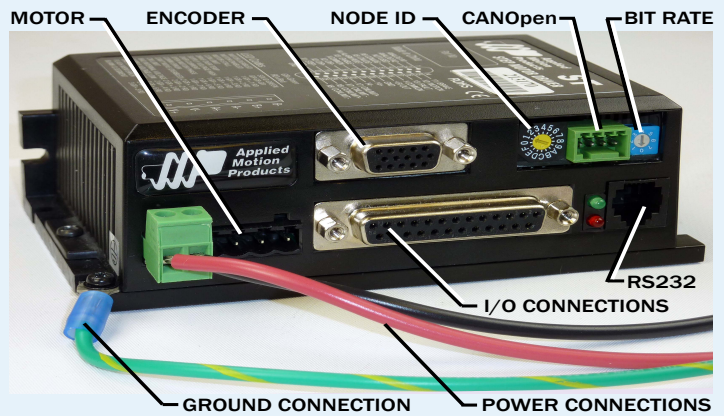
Ensure a proper earth ground connection by using the screw on the left side of the chassis.

- Connect the drive to the motor.

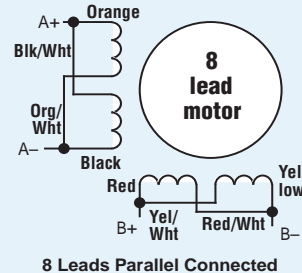
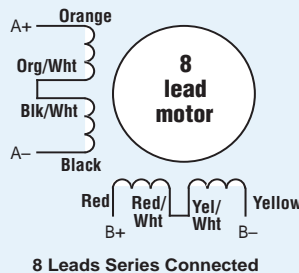
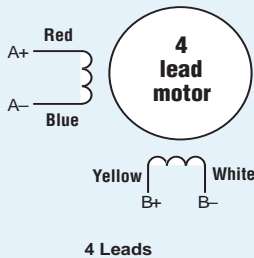
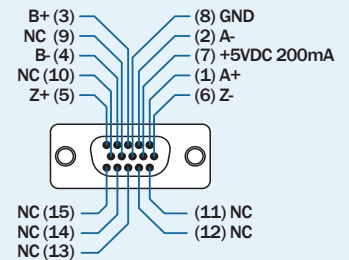
Warning - If you are using a non-Applied Motion motor, do not connect the motor until you have configured the drive for your motor. Refer to Step 3.

Refer to the wiring diagrams below. For details and recommended motors, see the ST-QSiC Hardware Manual.

- Connect the I/O
- Connect the Encoder (optional)



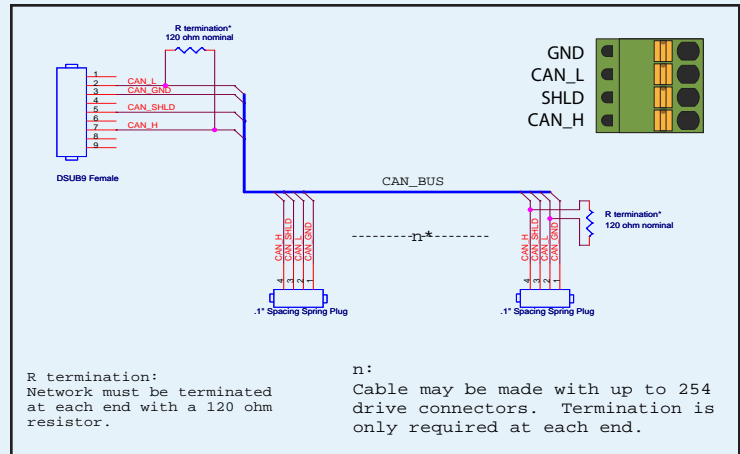
ENCODER *Optional



Step 2 - CANOpen Setup

- Connect to CAN network.

Applied Motion Products ST5/10-C drives use a four-pin spring connector, that conforms to the DR303 specification. The connector should be wired in a daisy-chain configuration with a 120 Ohm resistor used to terminate each end.



- Set BitRate, Node ID

CANOpen Bitrate - AMP CANOpen drives have three settings, one for Bit Rate and two for Node ID. The Bit Rate is configured using an eight-position switch. See Bit Rate table for the Bit Rate settings. The Node ID is configured using a sixteen position switch to set up the lower four bits of the Node ID. The upper three bits of the Node ID are set using an additional 8 position switch located under the cover on the CANOpen motherboard. Valid ranges for the Node ID are 0x01 through 0x7F. Node ID 0x00 is reserved in accordance with the DS301 specification.

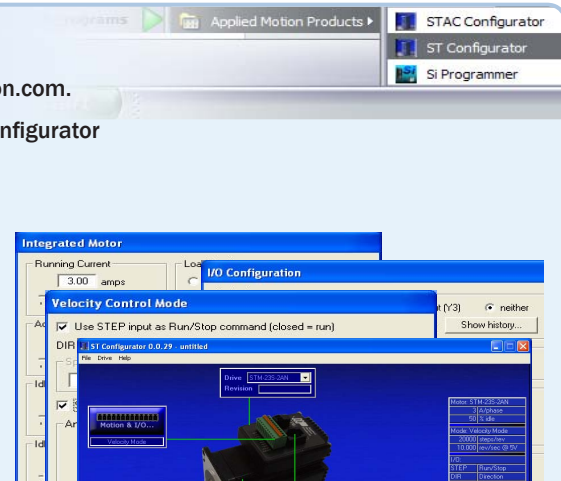
Note: The Node ID and Bit Rate are captured only after a power cycle, or after a network reset command has been sent. Changing the switches while the drive is powered on will NOT change the Node ID or Bit Rate until one of these conditions has been met.

Switch Setting	Resultant Bit Rate
0	1 Mbps
1	800kbps
2	500 kbps
3	250 kbps
4	125 kbps
5	50 kbps
6	20 kbps
7	12.5 kbps
8	n/a

Bit Rate Table

Step 3 - Configuration

- Connect the drive to your PC using the RS-232 programming cable.
- Download and install *ST Configurator™* software, available at www.applied-motion.com.
- Launch the software by clicking Start/Programs/Applied Motion Products/ST Configurator
- Apply power to the drive.
- Use the *ST Configurator™* to set up the motor current, load inertia, limit switches and encoder functionality (if applicable).
- The *ST Configurator™* includes a self test option (under the Drive menu) to verify that the ST5/10-C and motor are correctly wired and configured.
- When configuration is complete, exit *ST Configurator™*. The drive will automatically switch to CANOpen Mode.



404 Westridge Dr.

Watsonville, CA 95076

Tel: 800-525-1609

www.applied-motion.com

If you have any questions or comments, please call Applied Motion Products Customer Support: (800) 525-1609, or visit us online at www.applied-motion.com.

ST5/10-C Quick Setup Guide

920-0042D