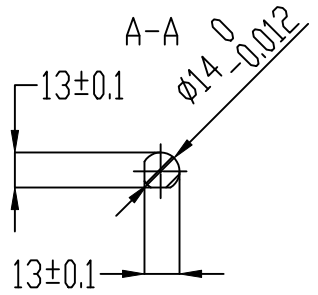
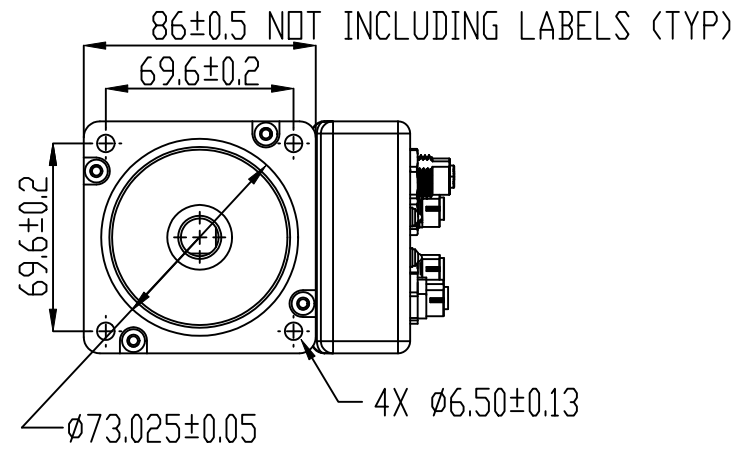
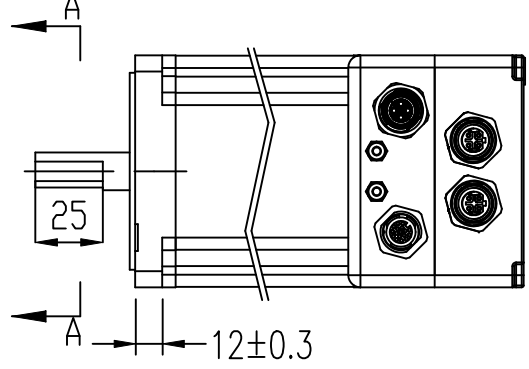
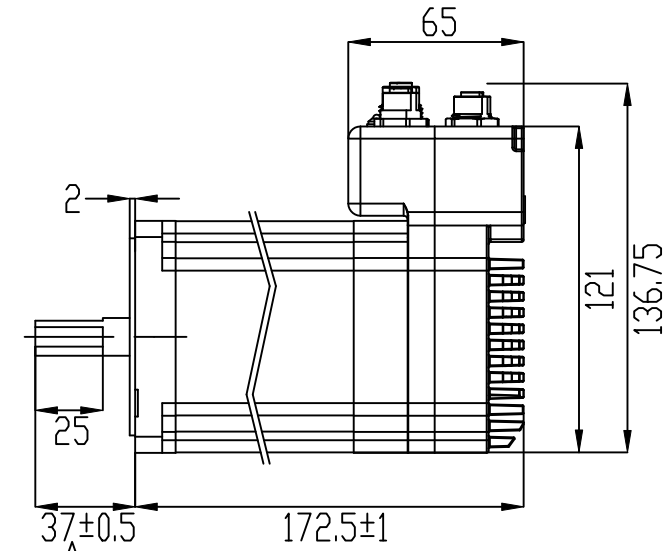


REVISIONS				
ECO NO.	REV	DESCRIPTION	DATE	APPROVED
7466	A	INITIAL RELEASE	8/31/16	J.KORDIK



TXM34Q-5RG

TOLERANCES *ALL DIMENSIONS IN MM DECIMALS: MM X.XX = ±0.13 X.X = ±0.25 ANGLES: MACH. = ±0.5° CHAM. = ±5°	THIRD ANGLE PROJECTION 		 APPLIED MOTION PRODUCTS, INC.		
	APPROVALS DRAWN K. KESLER CHECKED - APPROVED -	DATE 7/13/16			INTEGRATED StepSERVO MOTOR OUTLINE DRAWING
	COMPUTER DATA BASE DRAWING		B	DWG NO. TXM34Q-5RG	
			SCALE: NONE	SHEET 1 OF 1	