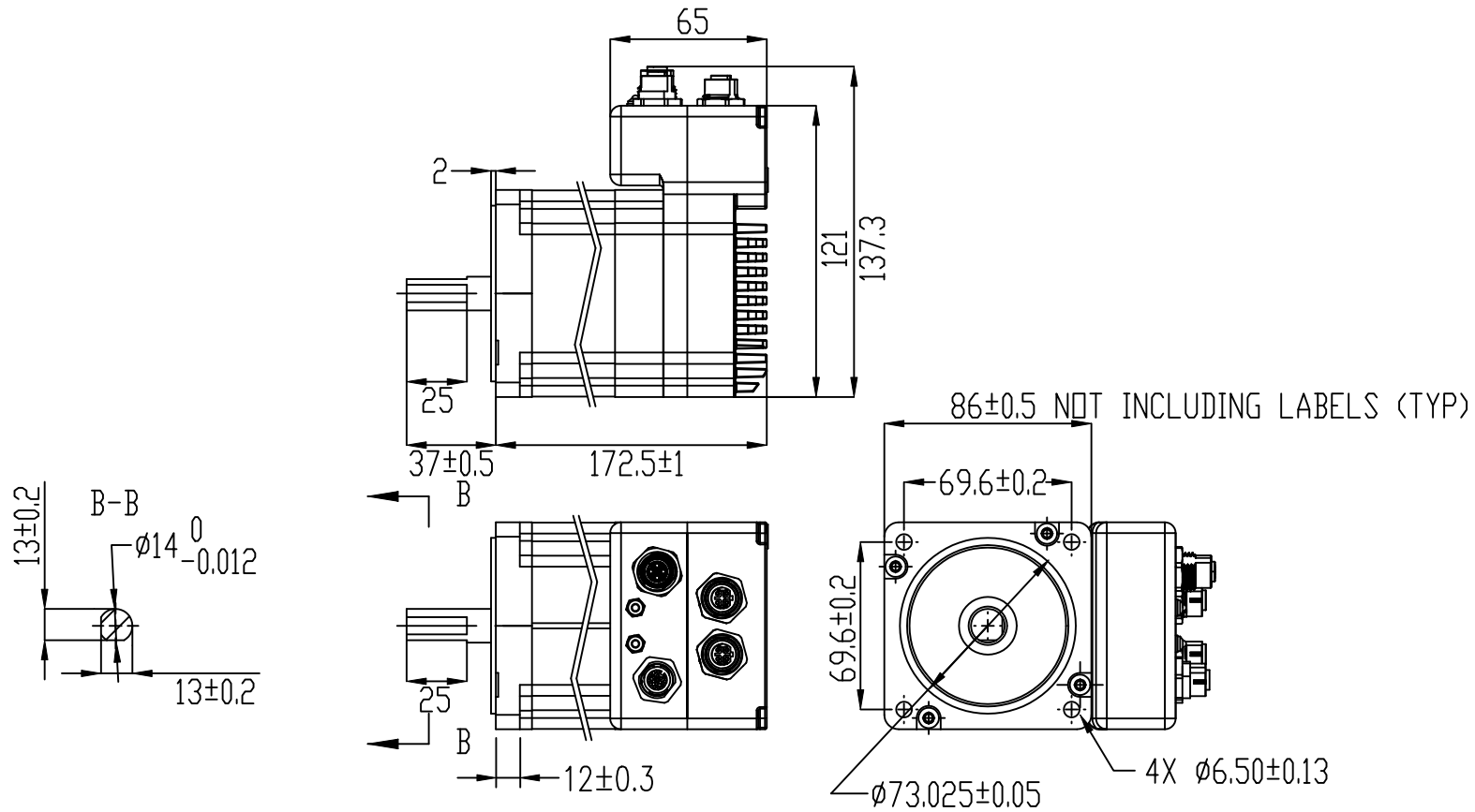

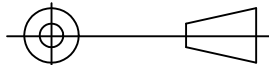


REVISIONS				
ECO NO.	REV	DESCRIPTION	DATE	APPROVED
7466	A	INITIAL RELEASE	8/31/16	J.KORDIK



TXM34Q-5DG

TOLERANCES *ALL DIMENSIONS IN MM DECIMALS: MM X.XX = ±0.13 X.X = ±0.25 ANGLES: MACH. = ±0.5° CHAM. = ±5°	THIRD ANGLE PROJECTION		 APPLIED MOTION PRODUCTS, INC.	
				INTEGRATED StepSERVO MOTOR OUTLINE DRAWING
	APPROVALS	DATE	B DWG NO. TXM34Q-5DG	
	DRAWN K.KESLER	7/13/16		A
COMPUTER DATA BASE DRAWING	CHECKED -	APPROVED -	SCALE: NONE	SHEET 1 OF 1