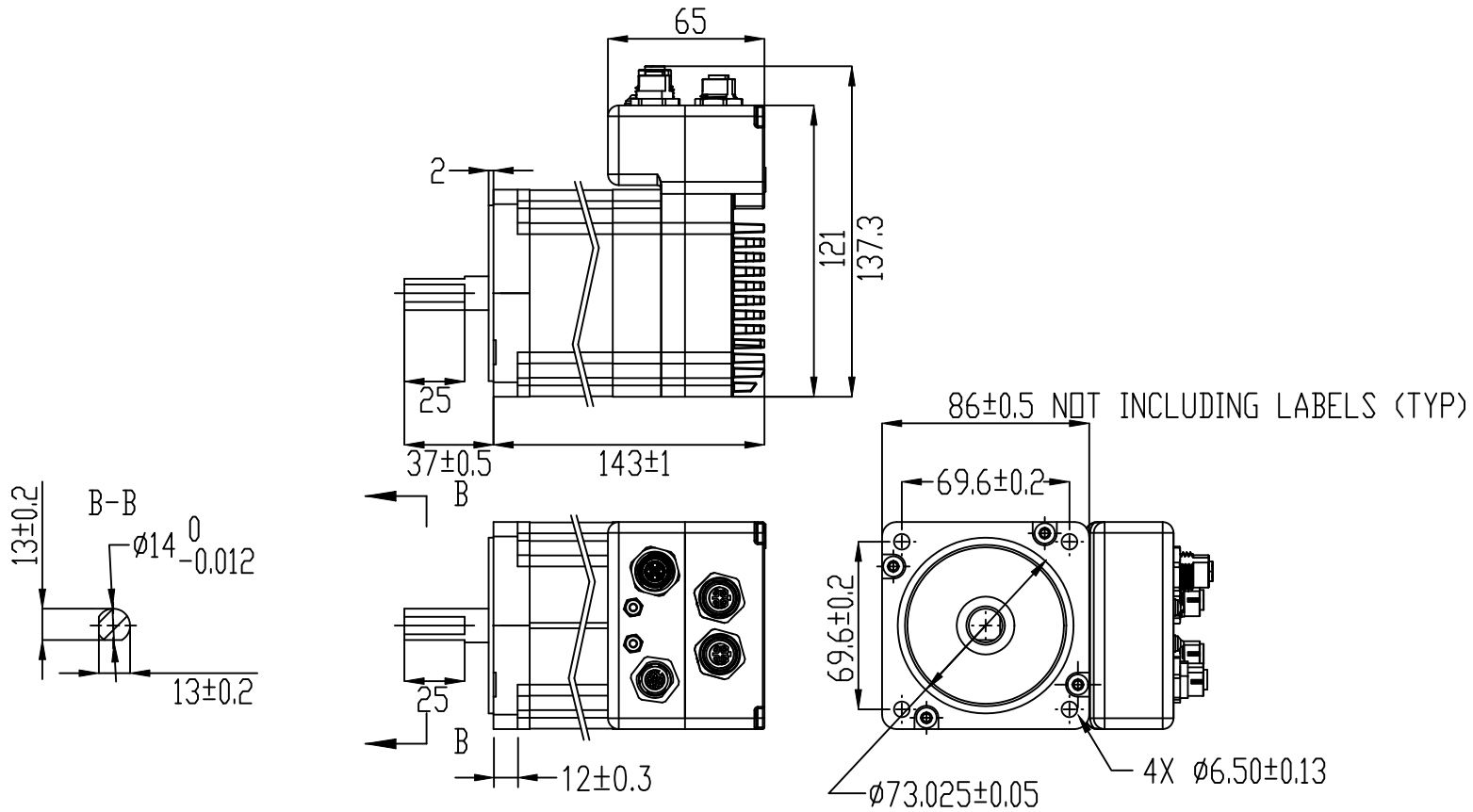


REVISIONS				
ECO NO.	REV	DESCRIPTION	DATE	APPROVED
7466	A	INITIAL RELEASE	8/31/16	J.KORDIK



**TXM34Q-3DG**

<p>TOLERANCES</p> <p>*ALL DIMENSIONS IN MM</p> <p>DECIMALS: MM</p> <p>X.XX = ±0.13</p> <p>X.X = ±0.25</p> <p>ANGLES:</p> <p>MACH. = ±0.5°</p> <p>CHAM. = ±5°</p> <p>COMPUTER DATA</p> <p>BASE DRAWING</p>	<p>THIRD ANGLE PROJECTION</p>		<p>APPLIED MOTION PRODUCTS, INC.</p>		
	<p>APPROVALS</p> <p>DRAWN K.KESLER</p> <p>CHECKED -</p> <p>APPROVED -</p>				<p>DATE</p> <p>7/13/16</p> <p>-</p> <p>-</p>
	<p>INTEGRATED StepSERVO MOTOR</p> <p>OUTLINE DRAWING</p>		<p>B</p>	<p>DWG NO. TXM34Q-3DG</p>	<p>REV A</p>
	<p>SCALE: NONE</p>		<p>SHEET 1 OF 1</p>		