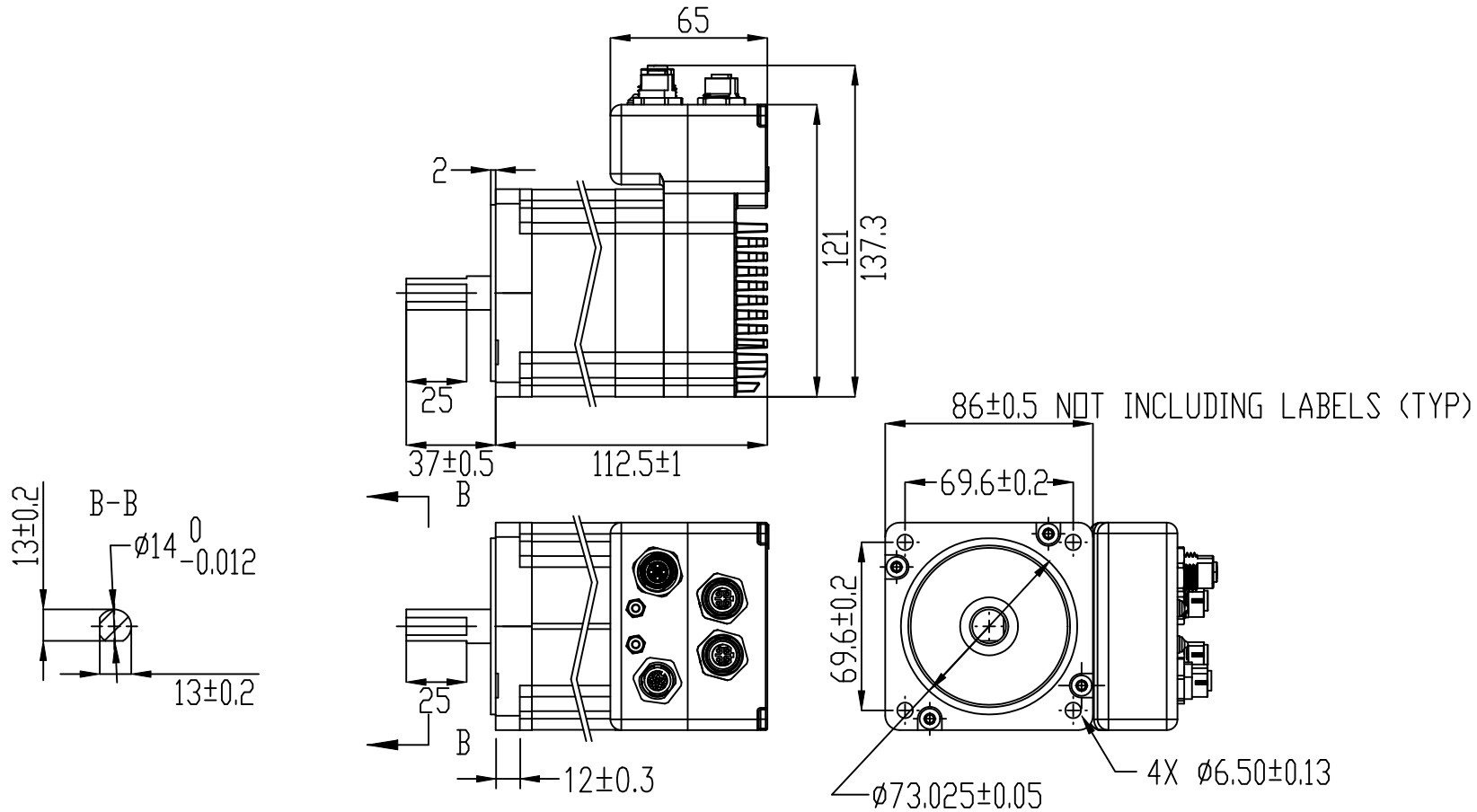


REVISIONS				
ECO NO.	REV	DESCRIPTION	DATE	APPROVED
7466	A	INITIAL RELEASE	8/31/16	J.KORDIK



**TXM34Q-1RG**

TOLERANCES	THIRD ANGLE PROJECTION		APPLIED MOTION PRODUCTS, INC.	
*ALL DIMENSIONS IN MM			<b>INTEGRATED StepSERVO MOTOR OUTLINE DRAWING</b>	
DECIMALS: MM				
X.XX = ±0.13	DRAWN	K.KESLER	7/13/16	B DWG NO. TXM34Q-1RG REV A
X.X = ±0.25	CHECKED	-	-	
ANGLES:	APPROVED	-	-	SCALE: NONE
MACH. = ±0.5°	COMPUTER DATA	-	-	SHEET 1 OF 1
CHAM. = ±5°	BASE DRAWING	-	-	