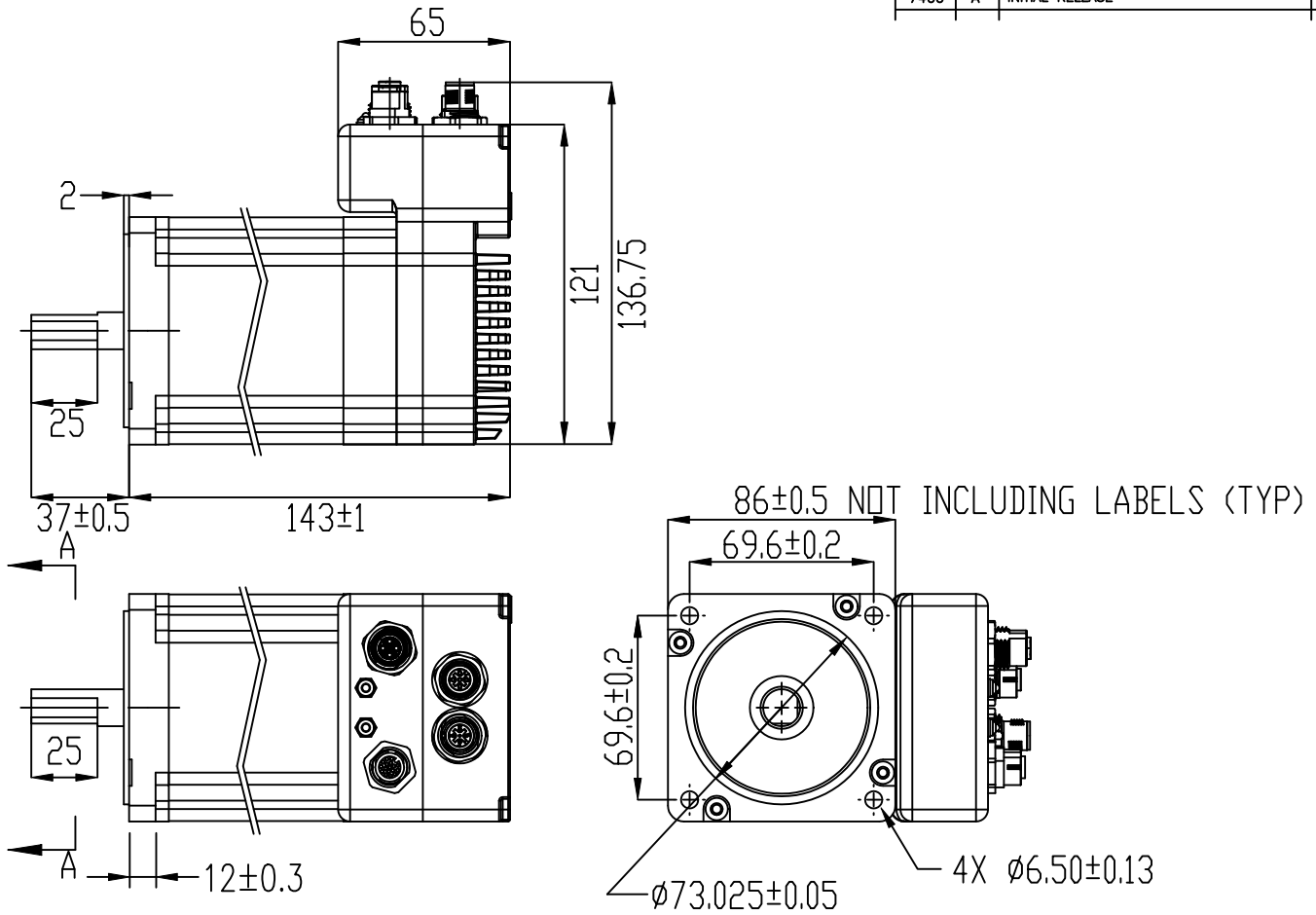


REVISIONS				
ECO NO.	REV	DESCRIPTION	DATE	APPROVED
7466	A	INITIAL RELEASE	8/31/16	J.KORDIK



TXM34C-3CG

TOLERANCES *ALL DIMENSIONS IN MM DECIMALS: MM X.XX = ±0.13 X.X = ±0.25 ANGLES: MACH. = ±0.5° CHAM. = ±5°	THIRD ANGLE PROJECTION 		 APPLIED MOTION PRODUCTS, INC.	
	APPROVALS DATE			
	DRAWN: K.KESLER		7/13/16	
	CHECKED: -		-	
APPROVED: -		-		B DWG NO. TXM34C-3CG REV A
COMPUTER DATA BASE DRAWING		APPROVED: -		
SCALE: NONE			SHEET 1 OF 1	

INTEGRATED StepSERVO MOTOR OUTLINE DRAWING