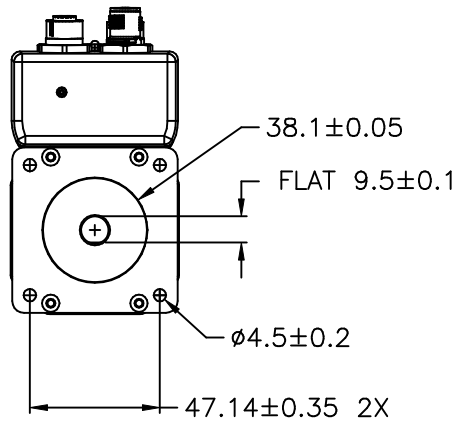
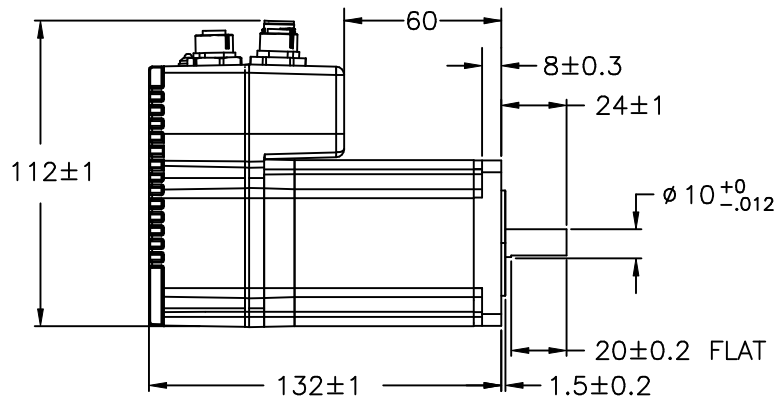
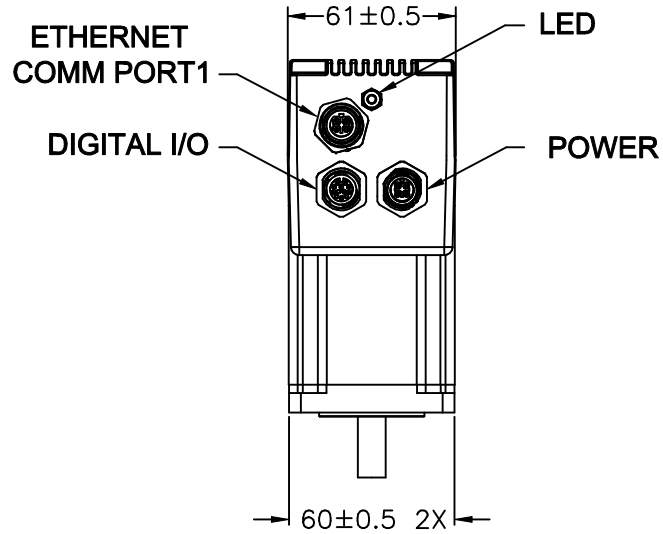
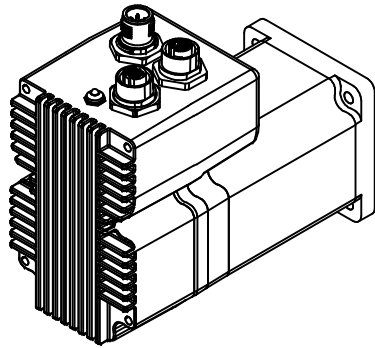


REVISIONS				
ECO NO.	REV	DESCRIPTION	DATE	APPROVED
7179	A	INITIAL RELEASE	3/23/15	J.KORDIK



TXM24IP-3EG

<p>TOLERANCES</p> <p>*ALL DIMENSIONS IN MM</p> <p>DECIMALS: MM</p> <p>X.XX = ±0.13</p> <p>X.X = ±0.25</p> <p>ANGLES:</p> <p>MACH. = ±0.5°</p> <p>CHAM. = ±5°</p> <p>COMPUTER DATA</p> <p>BASE DRAWING</p>	THIRD ANGLE PROJECTION		<p>APPLIED MOTION PRODUCTS, INC.</p> <p>INTEGRATED STEP MOTOR</p> <p>OUTLINE DRAWING</p>		
	APPROVALS	DATE	B	DWG NO. TXM24IP-3EG	REV A
	DRAWN K.KESLER	3/23/15			
CHECKED	-	SCALE: NONE		SHEET 1 OF 1	
APPROVED	-				