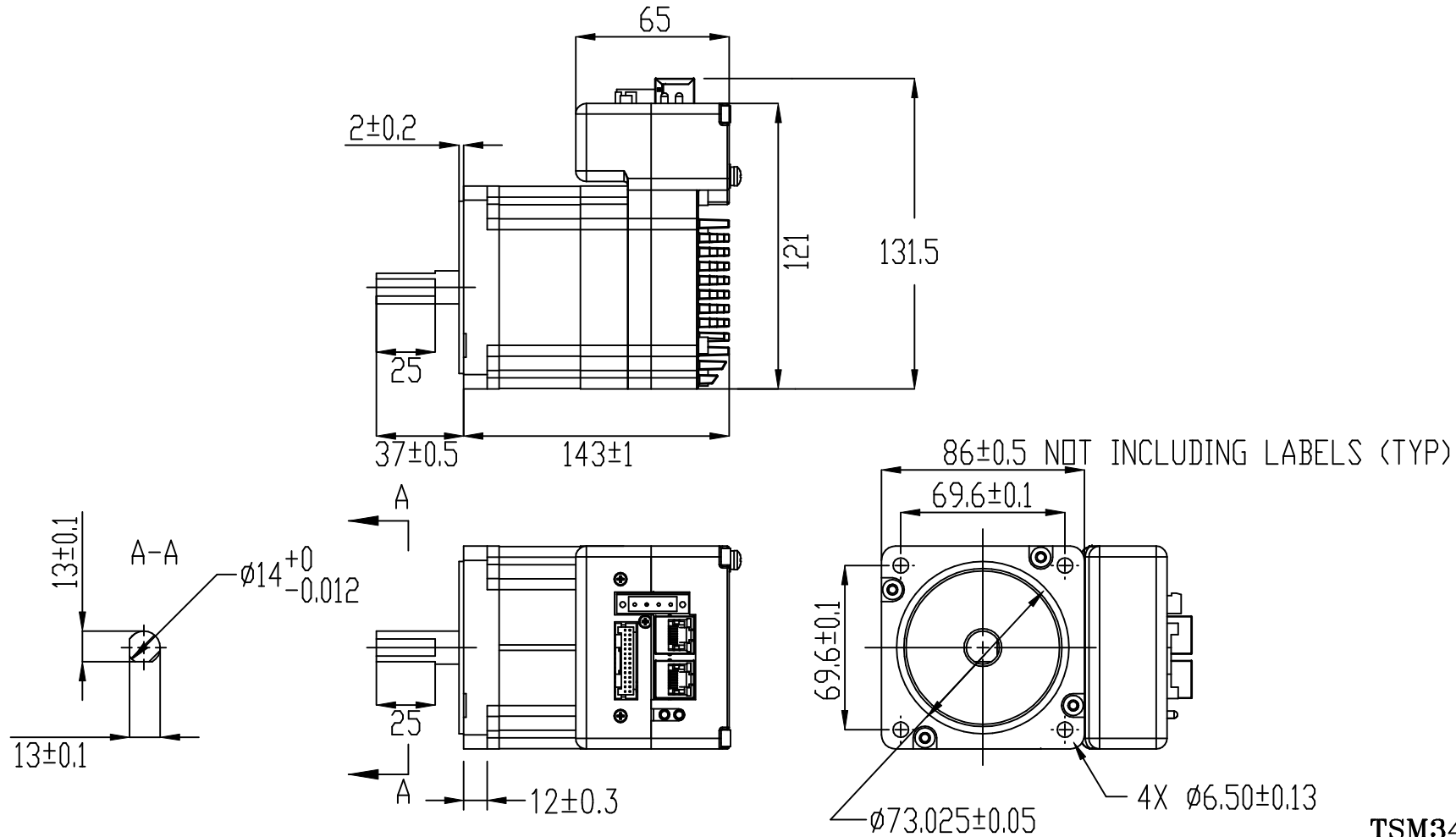


		REVISIONS		
ECO NO.	REV	DESCRIPTION	DATE	APPROVED
7629	A	INITIAL RELEASE	5/2/17	J.KORDIK



**TSM34IP-3DG**

<b>TOLERANCES</b> *ALL DIMENSIONS IN MM DECIMALS: MM X.XX = ±0.13 X.X = ±0.25 ANGLES: MACH. = ±0.5° CHAM. = ±5°	<b>THIRD ANGLE PROJECTION</b> 		<b>APPLIED MOTION PRODUCTS, INC.</b> <b>INTEGRATED StepSERVO MOTOR OUTLINE DRAWING</b>	
	APPROVALS DRAWN K.KESLER CHECKED - APPROVED -	DATE 5/2/17 - -		
COMPUTER DATA BASE DRAWING			SCALE: NONE	SHEET 1 OF 1