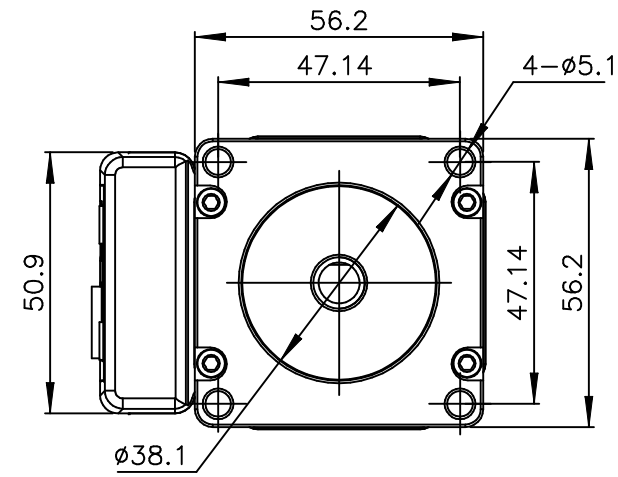
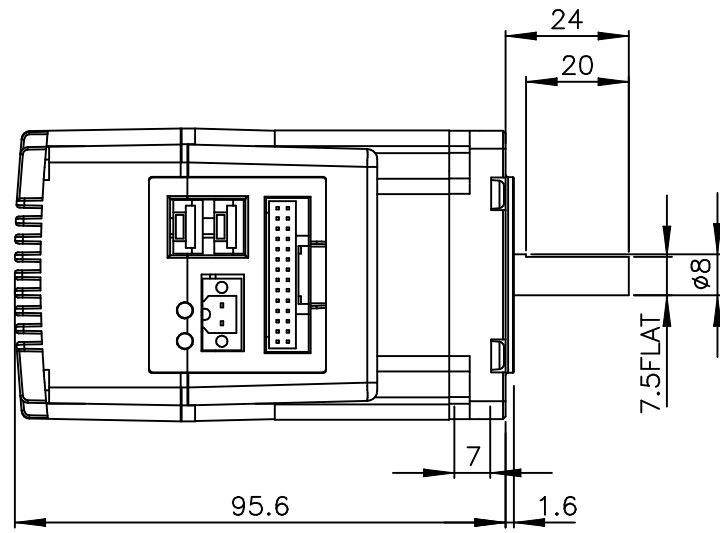
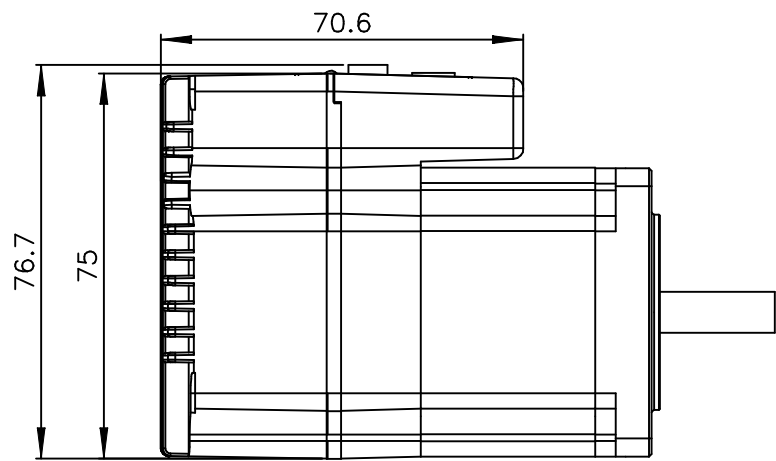


REVISIONS				
ECO NO.	REV	DESCRIPTION	DATE	APPROVED
7135	A	INITIAL RELEASE	1/20/15	J KORDIK



TSM23Q-2RG



TOLERANCES *ALL DIMENSIONS IN MM DECIMALS: MM X.XX = ±0.13 X.X = ±0.25 ANGLES: MACH. = ±0.5° CHAM. = ±5°	THIRD ANGLE PROJECTION 		 APPLIED MOTION PRODUCTS, INC.	
	APPROVALS DRAWN K.KESLER CHECKED - APPROVED -	DATE 1/19/15		
COMPUTER DATA BASE DRAWING	APPROVED -	DWG NO. TSM23Q-2RG	REV A	SCALE: NONE
			SHEET 1 OF 1	