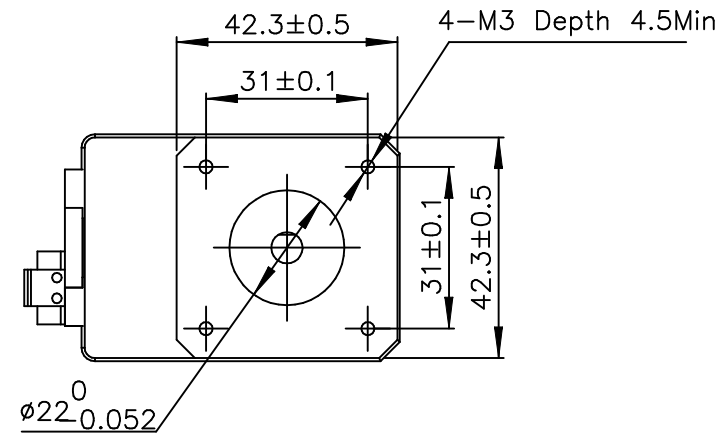
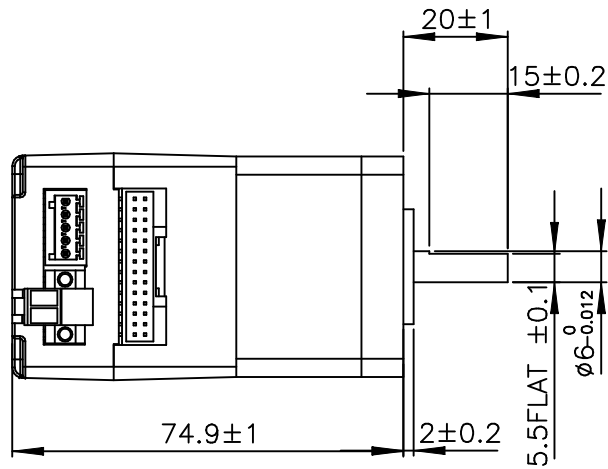
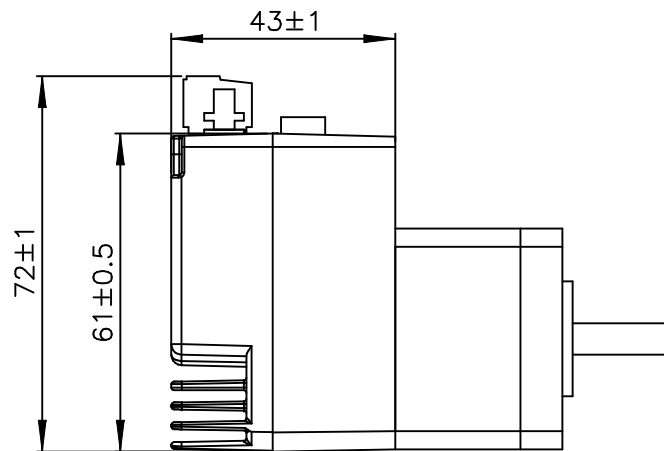


		REVISIONS			
ECO NO.	REV	DESCRIPTION	DATE	APPROVED	
7135	A	INITIAL RELEASE	1/20/15	J KORDIK	



### TSM17Q-2AG



TOLERANCES		THIRD ANGLE PROJECTION		APPLIED MOTION PRODUCTS, INC.	
*ALL DIMENSIONS IN MM				<b>INTEGRATED STEP MOTOR OUTLINE DRAWING</b>	
DECIMALS: MM X.XX = ±0.13 X.X = ±0.25 ANGLES: MACH. = ±0.5° CHAM. = ±5°		APPROVALS	DATE		
		DRAWN K.KESLER	1/19/15	SCALE: NONE	SHEET 1 OF 1
COMPUTER DATA BASE DRAWING		CHECKED -	-	APPROVED -	-