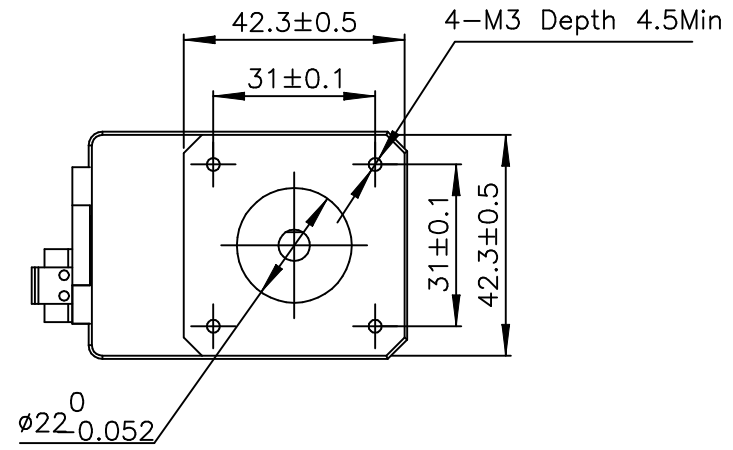
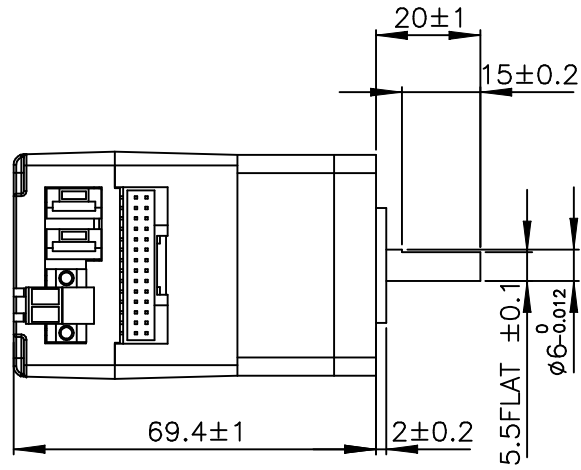
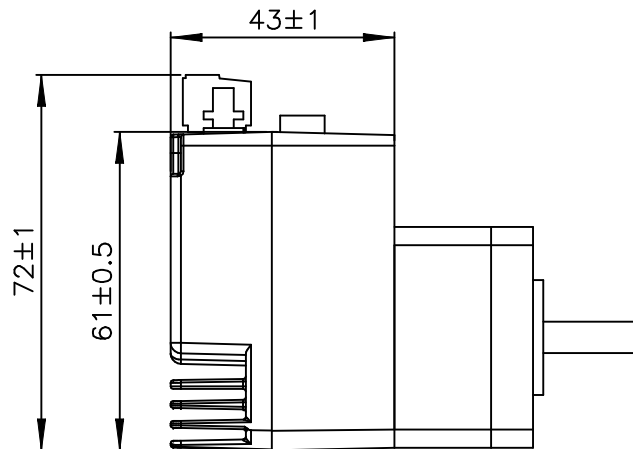




REVISIONS				
ECO NO.	REV	DESCRIPTION	DATE	APPROVED
7135	A	INITIAL RELEASE	1/20/15	J KORDIK



TSM17Q-1RG



TOLERANCES		THIRD ANGLE PROJECTION		 APPLIED MOTION PRODUCTS, INC.		
*ALL DIMENSIONS IN MM						INTEGRATED STEP MOTOR OUTLINE DRAWING
DECIMALS: MM X.XX = ±0.13 X.X = ±0.25 ANGLES: MACH. = ±0.5° CHAM. = ±5°		APPROVALS	DATE	B	DWG NO. TSM17Q-1RG	
		DRAWN K.KESLER	1/19/15			SCALE: NONE
COMPUTER DATA BASE DRAWING		CHECKED -	APPROVED -			