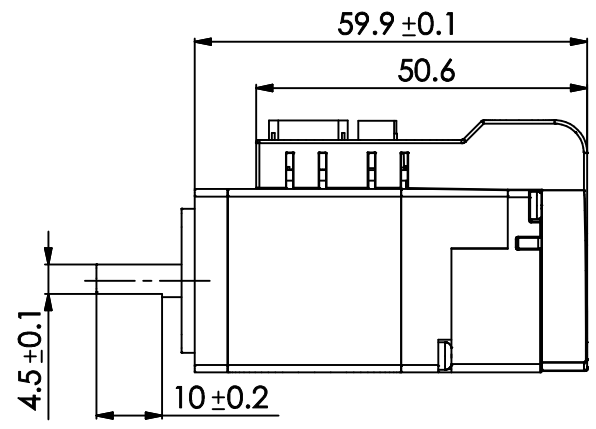
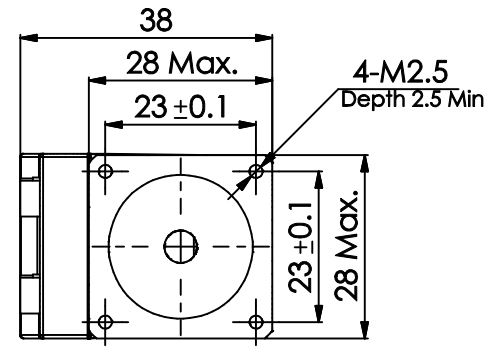
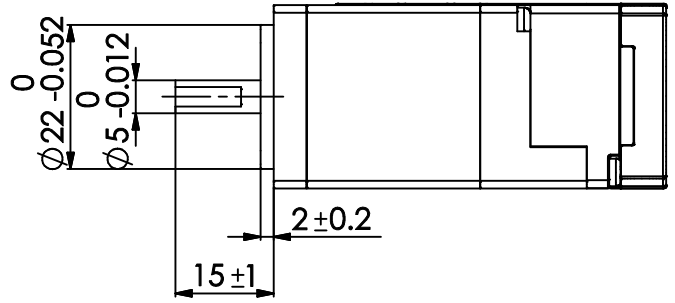
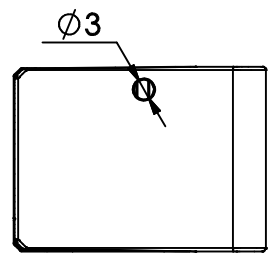


REVISIONS				
ECO NO.	REV	DESCRIPTION	DATE	APPROVED
7677	A	INITIAL RELEASE	7/19/17	L.Liu



TSM11Q-2RM-H01

TOLERANCES		FIRST ANGLE PROJECTION		APPLIED MOTION PRODUCTS, INC.	
*ALL DIMENSIONS IN MM				INTEGRATED STEP MOTOR OUTLINE DRAWING	
DECIMALS: MM X.XX = ±0.13 X.X = ±0.25 ANGLES: MACH. = ±0.5° CHAM. = ±5°					
COMPUTER DATA		DRAWN	R.JONEZ	7/19/17	B DWG NO. TSM11Q-2RM-H01 REV A
BASE DRAWING		CHECKED	-	-	
		APPROVED	-	-	SCALE: NONE
				SHEET 1 OF 1	