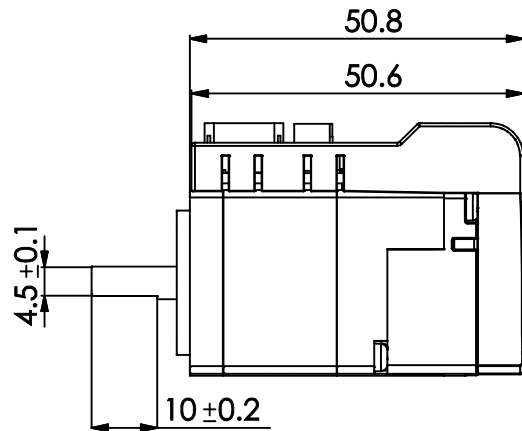
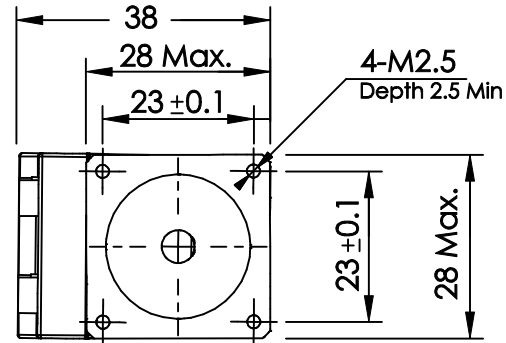
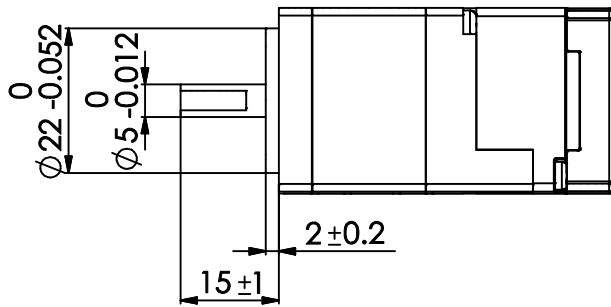
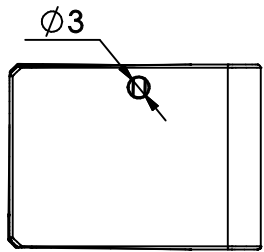


		REVISIONS			
ECO NO.	REV	DESCRIPTION		DATE	APPROVED
7677	A	INITIAL RELEASE		7/19/17	L.LIU



TSM11Q-1RM-H01

TOLERANCES	FIRST ANGLE PROJECTION		APPLIED MOTION PRODUCTS, INC.		
*ALL DIMENSIONS IN MM DECIMALS: MM X.XX = ±0.13 X.X = ±0.25 ANGLES: MACH. = ±0.5° CHAM. = ±5°			INTEGRATED STEP MOTOR OUTLINE DRAWING		
	DRAWN R.JONEZ	7/19/17	SCALE: NONE		SHEET 1 OF 1
	COMPUTER DATA BASE DRAWING	APPROVED			