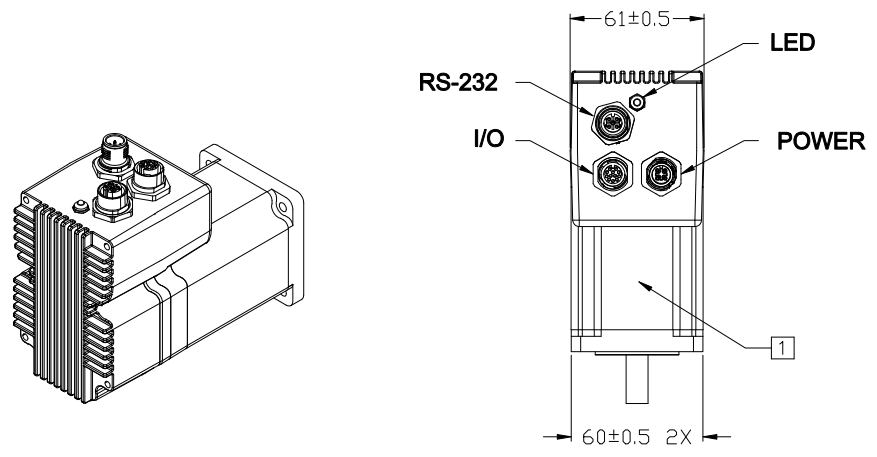
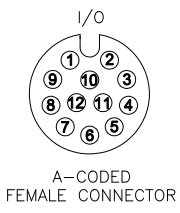


REVISIONS				
ECO NO.	REV	DESCRIPTION	DATE	APPROVED
6686	A	INITIAL RELEASE	1/31/13	J Kordik
6697	B	REVISED	2/20/13	J Kordik
6848	C	REVISED	10/31/13	J Kordik

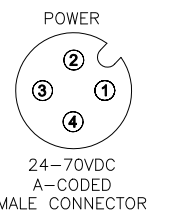


SIGNAL	PIN
I/O 1+	1
I/O 1-	3
I/O 2+	5
I/O 2-	8
I/O 3+	6
I/O 3-	4
I/O 4+	11
I/O 4-	12
5V 50ma	9
GND	2
Air	10
GND	7
SHIELD	METAL HOUSING

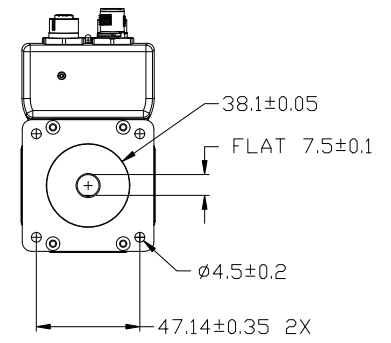
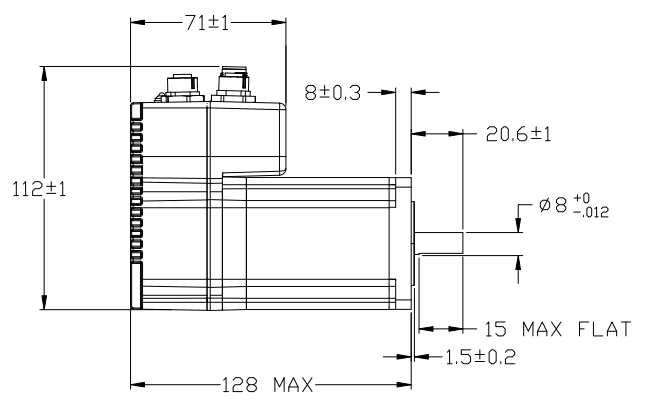


MATING CABLE
3004-290-xM

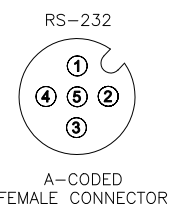
PIN	SIGNAL
1	DC+
2	DC-
3	DC+
4	DC-
METAL HOUSING FRAME GND & SHIELD	



MATING CABLE
3004-277-xM



PIN	SIGNAL
1	RX OF DRIVE
2	5V
3	TX OF DRIVE
4	GND
5	N/C
METAL HOUSING SHIELD	



MATING CABLE
3004-278-xM

NOTES, UNLESS OTHERWISE SPECIFIED:
 1 APPLY LABEL (P/N AND REV) WHERE SHOWN.

TOLERANCES		THIRD ANGLE PROJECTION		APPLIED MOTION PRODUCTS, INC.	
DECIMALS: INCH [MM]					
X.XXX = ±.005					
X.XX = ±.010 [0.13]		APPROVALS		DATE	
X.X = ±.020 [0.25]		DRAWN		1/21/13	
ANGLES:		CHECKED		R. JONEZ	
MACH. = ±.5°		APPROVED		B	
CHAM. = ±5°		COMPUTER DATA		DWG NO. SWM24X-3AX	
BASE DRAWING		APPROVED		SCALE: NONE	
				SHEET 1 OF 1	
				REV C	