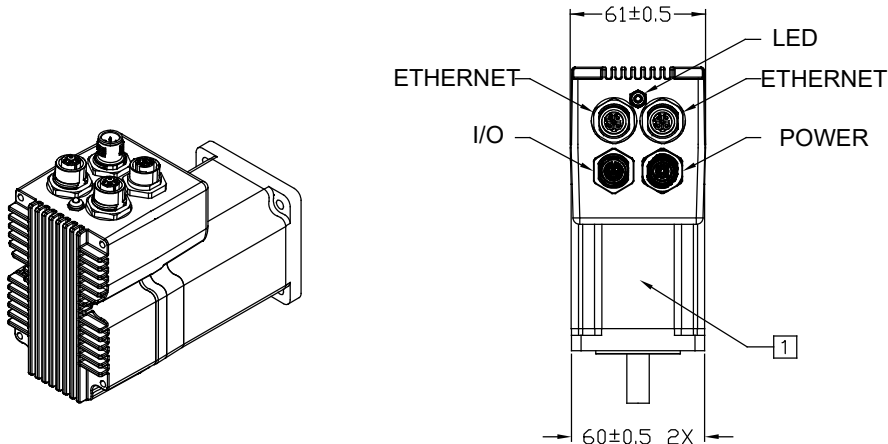
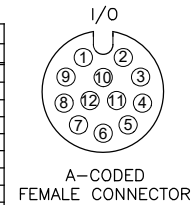


REVISIONS				
ECCO NO.	REV	DESCRIPTION	DATE	APPROVED
8154	A	INITIAL RELEASE	2/15/19	LLIU



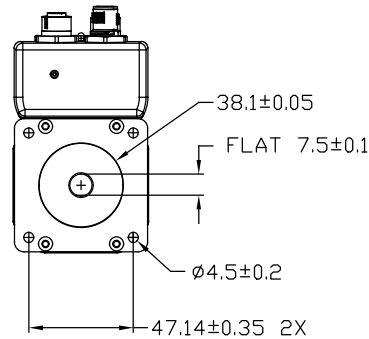
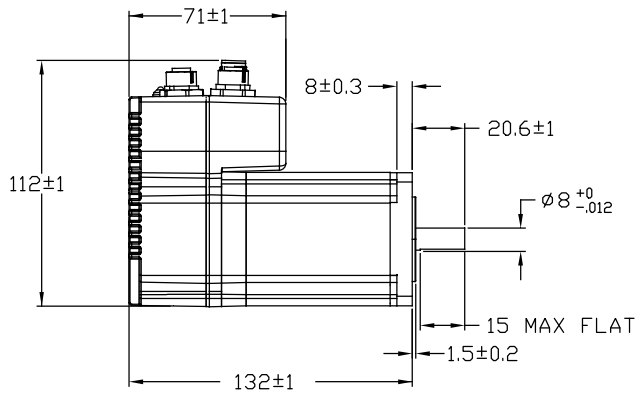
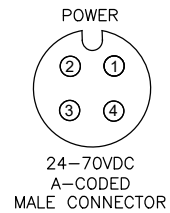
I/O CONNECTION CHART	
SIGNAL	PIN
I/O 1+	1
I/O 1-	3
I/O 2+	5
I/O 2-	8
I/O 3+	6
I/O 3-	4
I/O 4+	11
I/O 4-	12
5V 50ma	9
GND	2
Ain	10
GND	7
SHIELD	METAL HOUSING

MATING CABLE
3004-290-xM



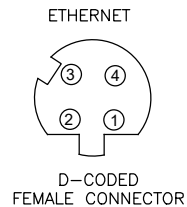
POWER CONNECTION CHART	
PIN	SIGNAL
1	DC+
2	DC-
3	DC+
4	DC-
METAL HOUSING FRAME GND & SHIELD	

MATING CABLE
3004-277-xM



ETHERNET CONNECTION CHART	
PIN	SIGNAL
1	TX+
2	RX+
3	TX-
4	RX-
SHIELD	METAL HOUSING

MATING CABLE
3004-280-xM



NOTES, UNLESS OTHERWISE SPECIFIED:

1 APPLY LABEL (P/N AND REV) WHERE SHOWN.

TOLERANCES		THIRD ANGLE PROJECTION		
DECIMALS: INCH [MM] X.XXX = ±.005 X.XX = ±.010 [0.13] X.X = ±.020 [0.25] ANGLES: MACH. = ±5° CHAM. = ±5°				
COMPUTER DATA BASE DRAWING		APPROVALS DRAWN R. JONEZ CHECKED	DATE 2/15/19	REV A
		APPROVED		SCALE: NONE SHEET 1 OF 1