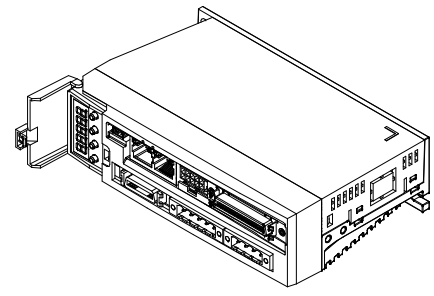
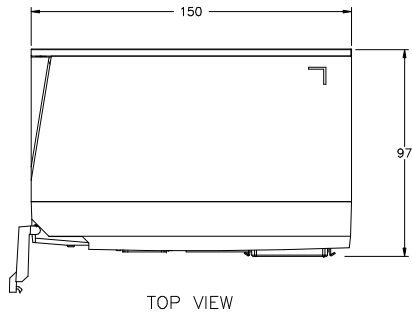
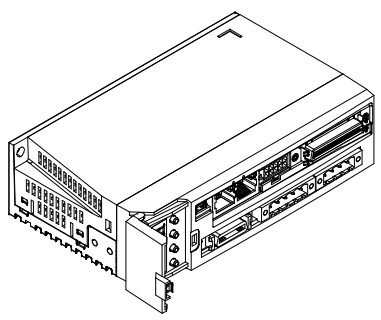
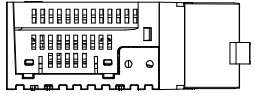


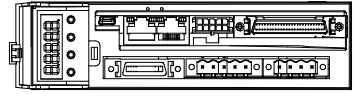
REVISIONS				
REV	ECO	DESCRIPTION	DATE	APPROVED
A	7597	INITIAL RELEASE	3/16/17	L.LIU



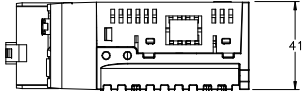
TOP VIEW



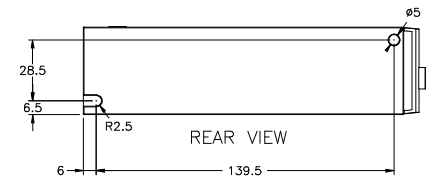
LEFT VIEW



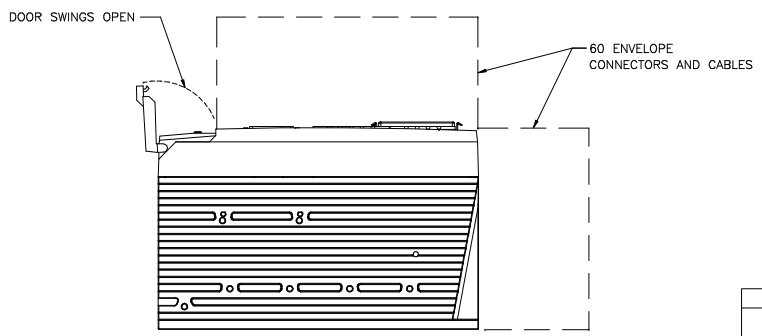
FRONT VIEW



RIGHT VIEW



REAR VIEW



BOTTOM VIEW

SV200DC DRIVES	
SV2D6-P-NE	SV2D10-P-NE
SV2D6-Q-AE	SV2D10-Q-AE
SV2D6-Q-RE	SV2D10-Q-RE
SV2D6-Q-DE	SV2D10-Q-DE
SV2D6-C-CE	SV2D10-C-CE
SV2D6-IP-DE	SV2D10-IP-DE
SV2D6-EC-DE	SV2D10-EC-DE

NOTE: FOR FULL DETAILS, PLEASE VISIT THE APPLIED MOTION PRODUCTS WEBSITE: WWW.APPLIED-MOTION.COM

<p>TOLERANCES</p> <p>DECIMALS: MM</p> <p>X.XXX = ±0.013</p> <p>X.XX = ±0.25</p> <p>X.X = ±2.5</p> <p>ANGLES:</p> <p>MACH. = ±5°</p> <p>CHAM. = ±5°</p>		<p>THIRD ANGLE PROJECTION</p>		<p>APPLIED MOTION PRODUCTS, INC.</p>	
<p>APPROVALS</p> <p>DRAWN <i>R. JONEZ</i></p> <p>CHECKED</p>		<p>DATE</p> <p>2/20/17</p>		<p>SV200 DC SERVO DRIVE</p>	
<p>COMPUTER DATA BASE DRAWING</p>		<p>APPROVED</p>		<p>B DWG NO. SV2DXX-X-XX REV A</p>	
<p>SCALE: NONE</p>		<p>SHEET 1 OF 1</p>			