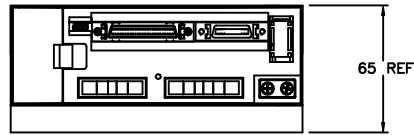
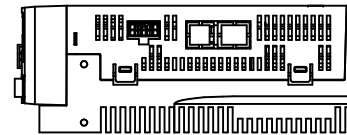


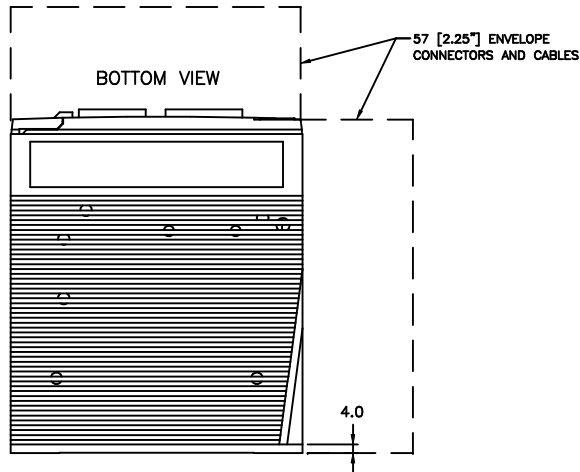
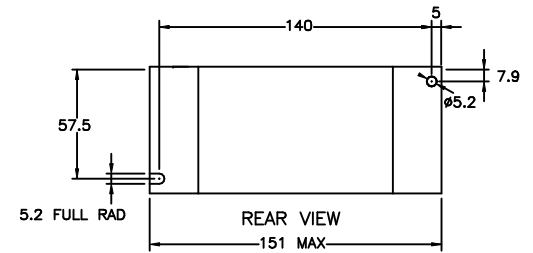
LEFT VIEW



FRONT VIEW



RIGHT VIEW



REVISIONS				
REV	ECO	DESCRIPTION	DATE	APPROVED
A	7261	INITIAL RELEASE	7/23/15	J KORDIK
B	7278	CLEANUP DIMENSIONS	10/23/15	J KORDIK

TOLERANCES		THIRD ANGLE PROJECTION		APPLIED MOTION PRODUCTS, INC.	
DECIMALS: MM X.XXX = ±0.013 X.XX = ±0.25 X.X = ±2.5 ANGLES: MACH. = ±5° CHAM. = ±5°				<b>SV200 SERVO DRIVE</b> <b>220 VOLT, 750 WATT</b>	
APPROVALS DRAWN <b>R. JONEZ</b> CHECKED		DATE <b>7/23/15</b>		<b>B</b> DWG NO. <b>SV2B5-Q-RE</b> REV <b>B</b>	
COMPUTER DATA BASE DRAWING		APPROVED		SCALE: NONE SHEET 1 OF 1	