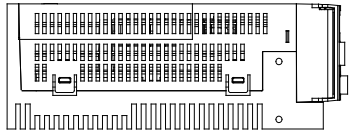
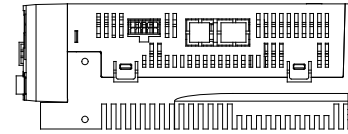
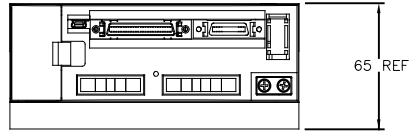


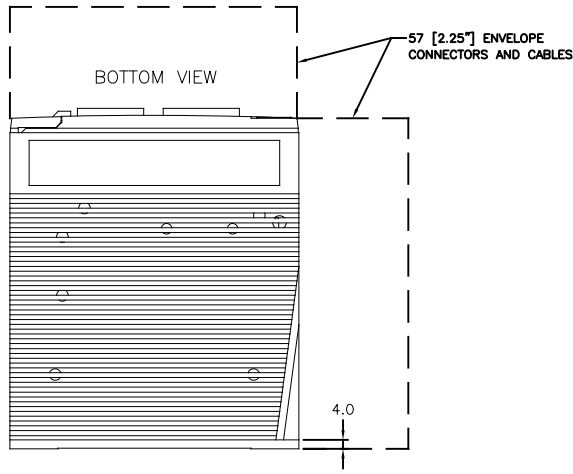
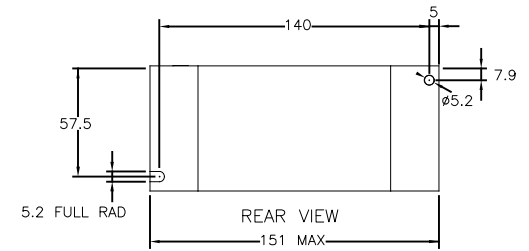
REVISIONS				
REV	ECO	DESCRIPTION	DATE	APPROVED
A	7261	INITIAL RELEASE	7/23/15	J KORDIK
B	7278	CLEANUP DIMENSIONS	10/23/15	J KORDIK
C	7839	REVISE PART NUMBERS FROM -EE TO -DE PER ECO	2/5/18	L LIU



LEFT VIEW



RIGHT VIEW



TOLERANCES DECIMALS: MM X.XXX = ±0.013 X.XX = ±0.25 X.X = ±2.5 ANGLES: MACH. = ±.5° CHAM. = ±5°		THIRD ANGLE PROJECTION 		 SV200 SERVO DRIVE 220 VOLT, 750 WATT	
APPROVALS DRAWN <i>R. JONEZ</i> CHECKED		DATE <i>7/23/15</i>			
COMPUTER DATA BASE DRAWING		APPROVED		B	DWG NO. SV2B5-IP-DE
SCALE: NONE		SHEET 1 OF 1		REV C	