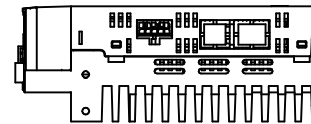
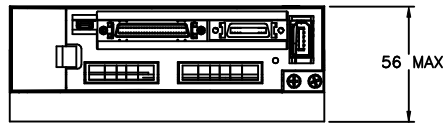
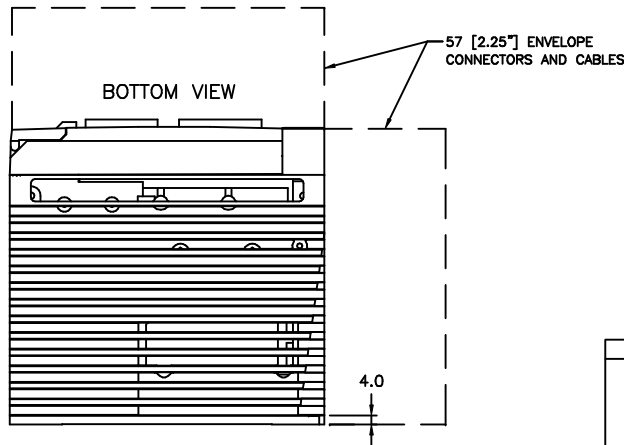
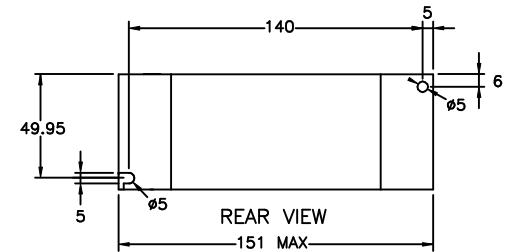


LEFT VIEW



RIGHT VIEW



REVISIONS				
REV	ECO	DESCRIPTION	DATE	APPROVED
A	7261	INITIAL RELEASE	7/23/15	J KORDIK
B	7278	CLEANUP DIMENSIONS	10/23/15	J KORDIK

TOLERANCES		THIRD ANGLE PROJECTION		APPLIED MOTION PRODUCTS, INC.	
DECIMALS: MM X.XXX = ±0.013 X.XX = ±0.25 X.X = ±2.5 ANGLES: MACH. = ±.5° CHAM. = ±.5°				SV200 SERVO DRIVE 220 VOLT, 400 WATT	
COMPUTER DATA BASE DRAWING		APPROVALS DATE DRAWN <i>R. JONEZ</i> 7/23/15 CHECKED			
		APPROVED		SCALE: NONE	SHEET 1 OF 1