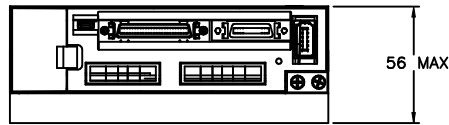
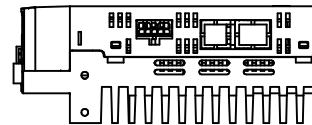


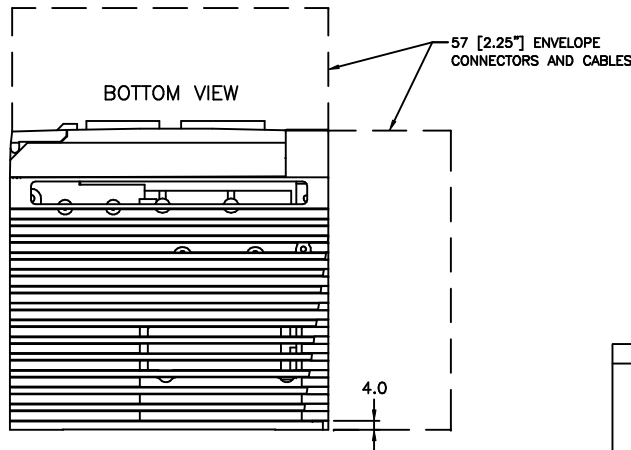
LEFT VIEW



FRONT VIEW

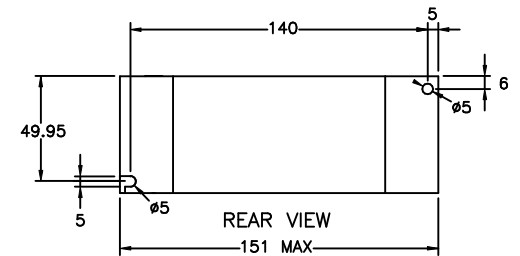


RIGHT VIEW



BOTTOM VIEW

REVISIONS				
REV	ECO	DESCRIPTION	DATE	APPROVED
A	7261	INITIAL RELEASE	7/23/15	J KORDIK
B	7278	CLEANUP DIMENSIONS	10/23/15	J KORDIK



REAR VIEW

TOLERANCES		THIRD ANGLE PROJECTION		APPLIED MOTION PRODUCTS, INC.	
DECIMALS: MM X.XXX = ±0.013 X.XX = ±0.25 X.X = ±2.5 ANGLES: MACH. = ±.5° CHAM. = ±5°				SV200 SERVO DRIVE 220 VOLT, 400 WATT	
COMPUTER DATA BASE DRAWING		APPROVALS	DATE		
		DRAWN <i>R. JONEZ</i>	7/23/15	DWG NO.	SV2B3-Q-EE
		CHECKED		SCALE: NONE	SHEET 1 OF 1