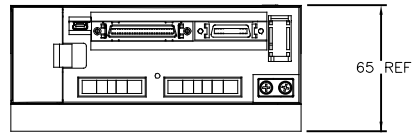
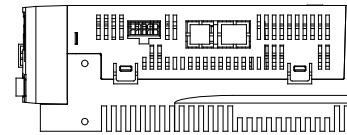


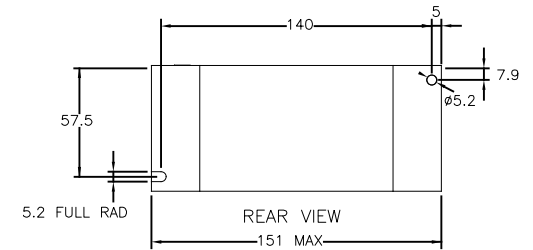
LEFT VIEW



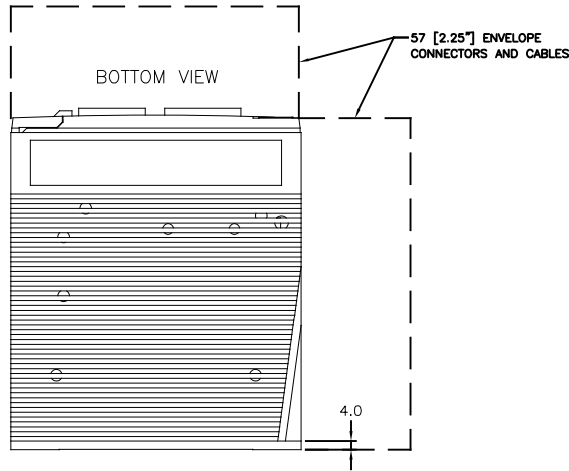
FRONT VIEW



RIGHT VIEW



REAR VIEW



BOTTOM VIEW

REVISIONS				
REV	ECO	DESCRIPTION	DATE	APPROVED
A	7261	INITIAL RELEASE	7/23/15	J KORDIK
B	7278	CLEANUP DIMENSIONS	10/23/15	J KORDIK
C	7839	REVISE PART NUMBERS FROM -EE TO -DE PER ECO	2/5/18	L LIU

TOLERANCES DECIMALS: MM X.XXX = ±0.013 X.XX = ±0.25 X.X = ±2.5 ANGLES: MACH. = ±5° CHAM. = ±5°	THIRD ANGLE PROJECTION 			
	APPROVALS DRAWN <i>R. JONEZ</i> CHECKED	DATE 7/23/15	SV200 SERVO DRIVE 120 VOLT, 750 WATT	
COMPUTER DATA BASE DRAWING	APPROVED	B	DWG NO. SV2A5-IP-DE	REV C
SCALE: NONE		SHEET 1 OF 1		