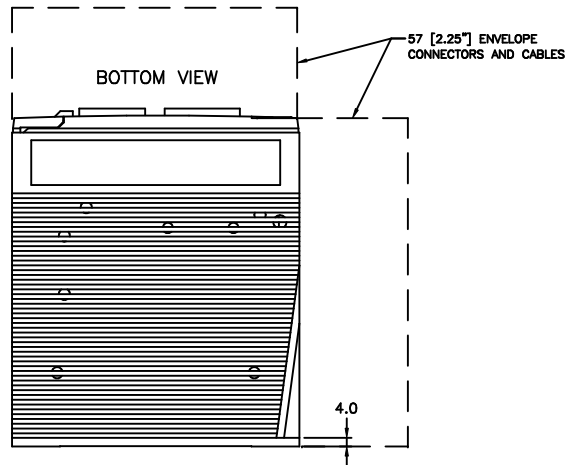
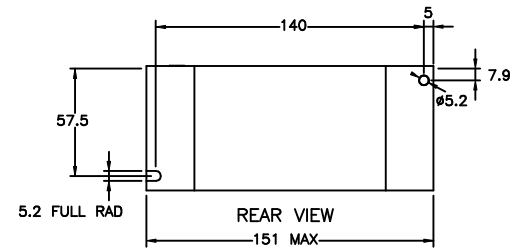
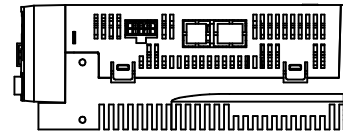
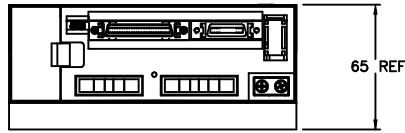
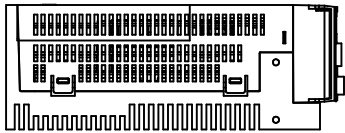


REVISIONS				
REV	ECO	DESCRIPTION	DATE	APPROVED
A	7261	INITIAL RELEASE	7/23/15	J KORDIK
B	7278	CLEANUP DIMENSIONS	10/23/15	J KORDIK



TOLERANCES DECIMALS: MM X.XXX = ±0.013 X.XX = ±0.25 X.X = ±2.5 ANGLES: MACH. = ±.5° CHAM. = ±5°	THIRD ANGLE PROJECTION 			
	APPROVALS DRAWN <i>R. JONEZ</i>	DATE 7/23/15		SV200 SERVO DRIVE 120 VOLT, 750 WATT
	CHECKED	APPROVED	B DWG NO.	
	COMPUTER DATA BASE DRAWING	SCALE: NONE	SHEET 1 OF 1	