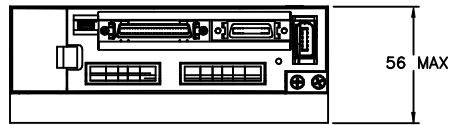
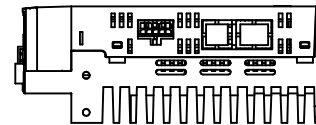


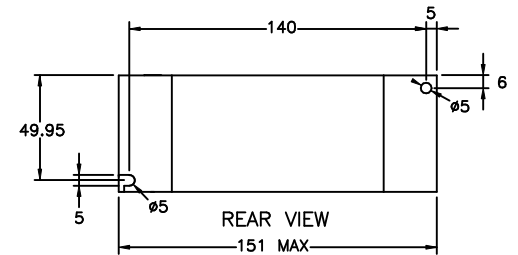
LEFT VIEW



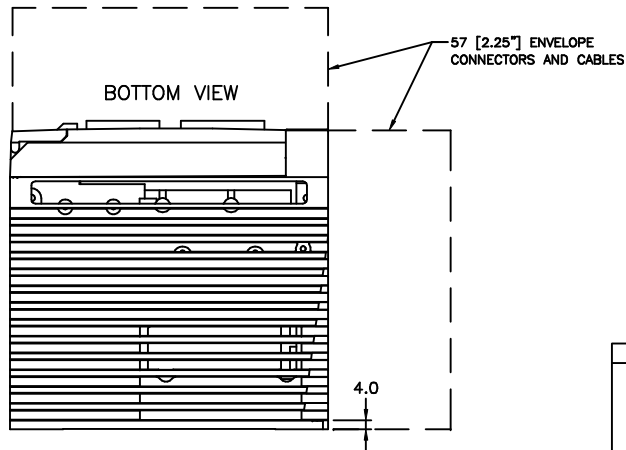
FRONT VIEW



RIGHT VIEW



REAR VIEW



BOTTOM VIEW

REVISIONS				
REV	ECO	DESCRIPTION	DATE	APPROVED
A	7261	INITIAL RELEASE	7/23/15	J KORDIK
B	7278	CLEANUP DIMENSIONS	10/23/15	J KORDIK

TOLERANCES		THIRD ANGLE PROJECTION		APPLIED MOTION PRODUCTS, INC.	
DECIMALS: MM X.XXX = ±0.013 X.XX = ±0.25 X.X = ±2.5 ANGLES: MACH. = ±5° CHAM. = ±5°				 SV200 SERVO DRIVE 120 VOLT, 400 WATT	
DRAWN CHECKED APPROVED		APPROVALS DATE			
COMPUTER DATA BASE DRAWING		APPROVED		DWG NO.	REV
				B	B
				SCALE: NONE	SHEET 1 OF 1