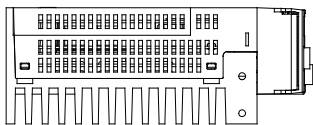
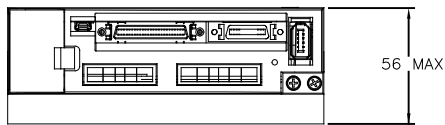


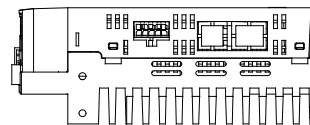
TOP VIEW



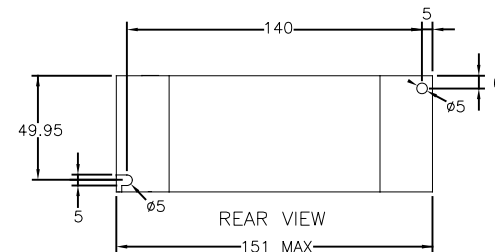
LEFT VIEW



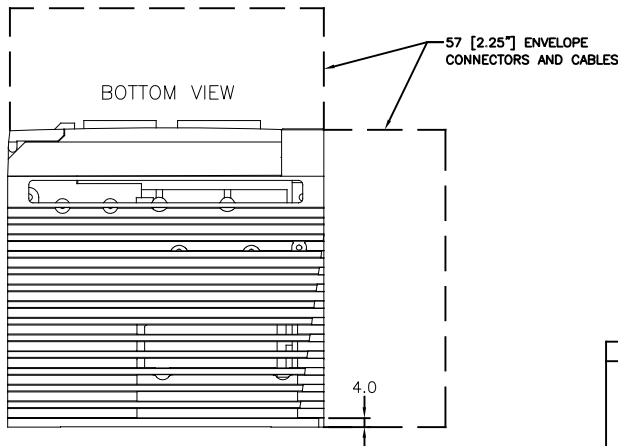
FRONT VIEW



RIGHT VIEW



REAR VIEW



BOTTOM VIEW

REVISIONS				
REV	ECO	DESCRIPTION	DATE	APPROVED
A	7261	INITIAL RELEASE	7/23/15	J KORDIK
B	7278	CLEANUP DIMENSIONS	10/23/15	J KORDIK
C	7839	REVISE PART NUMBERS FROM -EE TO -DE PER ECO	2/5/18	L LIU

<b>TOLERANCES</b> DECIMALS: MM X.XXX = ±0.013 X.XX = ±0.25 X.X = ±2.5 ANGLES: MACH. = ±.5° CHAM. = ±5°	<b>THIRD ANGLE PROJECTION</b> 		 <b>SV200 SERVO DRIVE</b> <b>120 VOLT, 400 WATT</b>
	APPROVALS DRAWN <i>R. JONEZ</i> CHECKED	DATE <i>7/23/15</i>	
COMPUTER DATA BASE DRAWING	APPROVED	DWG NO. <b>SV2A3-IP-DE</b>	REV <b>C</b>
SCALE: NONE		SHEET 1 OF 1	