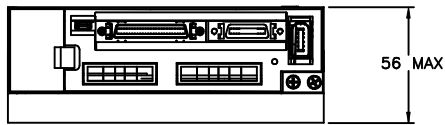
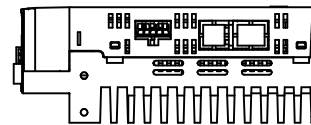


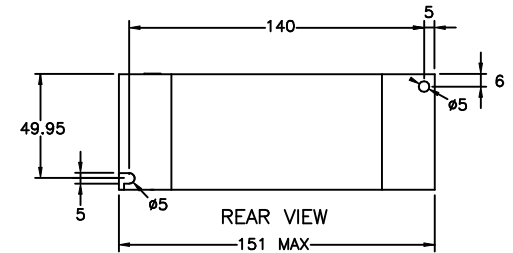
LEFT VIEW



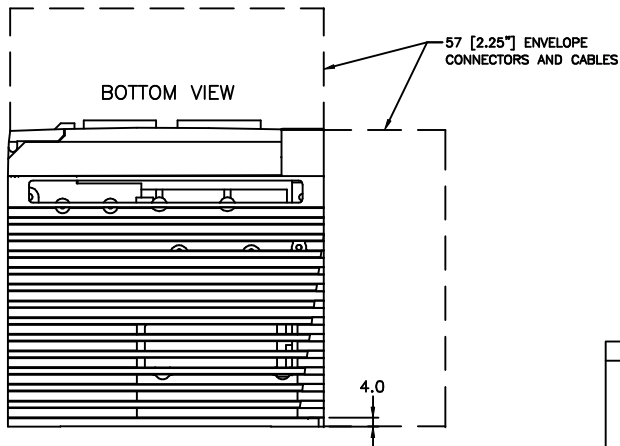
FRONT VIEW



RIGHT VIEW



REAR VIEW



BOTTOM VIEW

REVISIONS				
REV	EDD	DESCRIPTION	DATE	APPROVED
A	7261	INITIAL RELEASE	7/23/15	J KORDIK
B	7278	CLEANUP DIMENSIONS	10/23/15	J KORDIK

TOLERANCES		THIRD ANGLE PROJECTION		APPLIED MOTION PRODUCTS, INC.	
DECIMALS: MM X.XXX = ±0.013 X.XX = ±0.25 X.X = ±2.5 ANGLES: MACH. = ±.5° CHAM. = ±5°					
COMPUTER DATA BASE DRAWING		APPROVALS DRAWN CHECKED APPROVED	DATE 7/23/15		
		B	DWG NO. <b>SV2A3-C-CE</b>	REV <b>B</b>	SCALE: NONE SHEET 1 OF 1