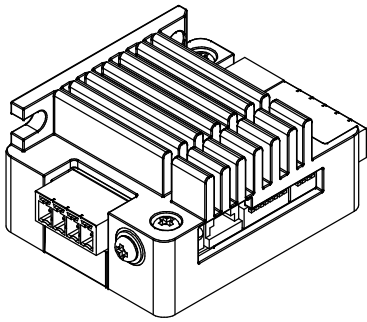
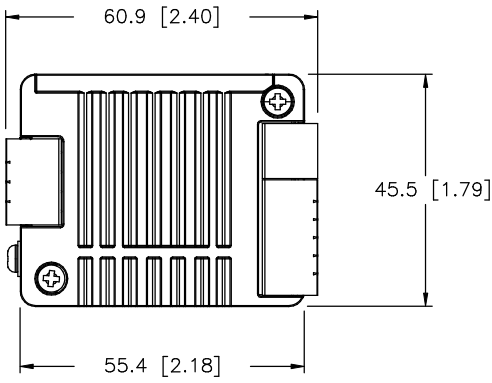


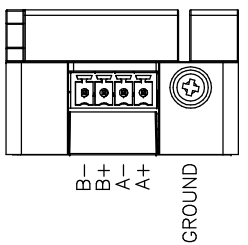
REVISIONS				
REV	ECO	DESCRIPTION	DATE	APPROVED
A	7521	INITIAL RELEASE	10/17/16	L LIU



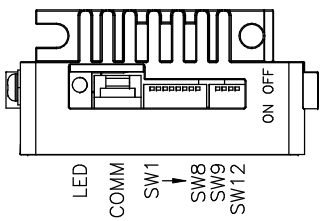
TOP VIEW



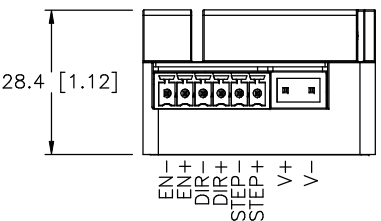
LEFT VIEW



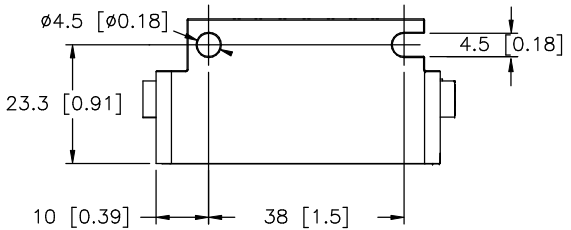
FRONT VIEW



RIGHT VIEW



REAR VIEW



BOTTOM VIEW



TOLERANCES		THIRD ANGLE PROJECTION		 STR3 STEP DRIVE WEB DRAWING	
DECIMALS: MM X.XXX = ±0.013 X.XX = ±0.25 X.X = ±2.5 ANGLES: MACH. = ±5° CHAM. = ±5°					
COMPUTER DATA BASE DRAWING		APPROVALS	DATE	STR3 2D	
		DRAWN R. JONES	DATE 9/14/16	REV A	
		CHECKED		SCALE: NONE SHEET 1 OF 1	