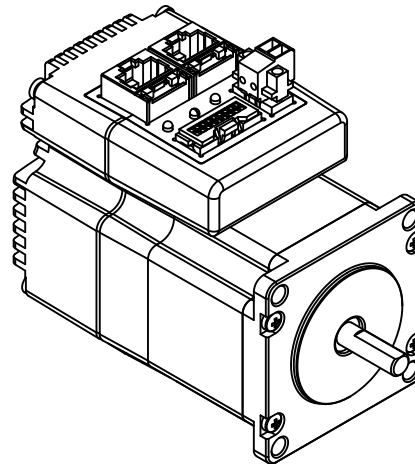
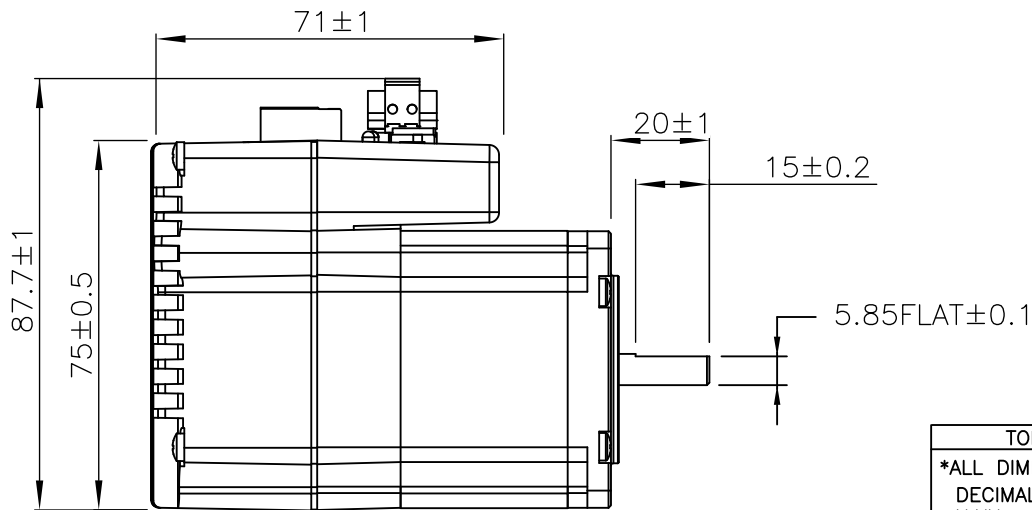
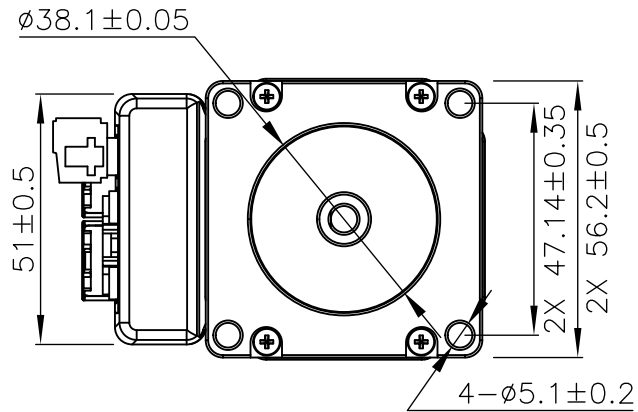
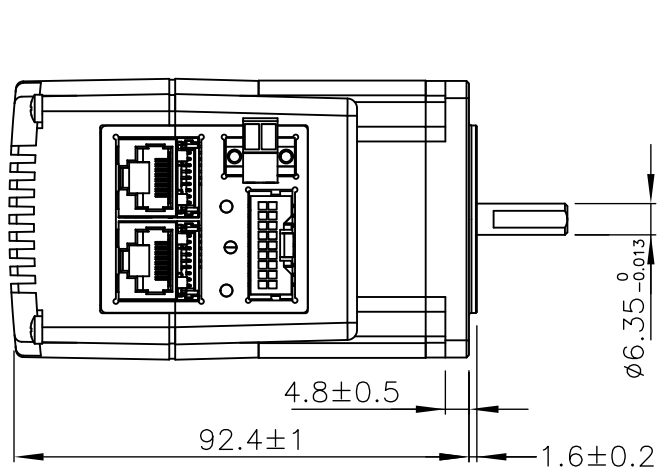

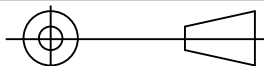


REVISIONS				
ECO NO.	REV	DESCRIPTION	DATE	APPROVED
8244	A	INITIAL RELEASE	5/29/19	LLIU
8255	B	DIMENSION UPDATE	6/4/19	LLIU



MODELS
STM23XIP-2DE
STM23XIP-2DN
STM23XQ-2DE
STM23XQ-2DN

TOLERANCES		THIRD ANGLE PROJECTION		 APPLIED MOTION PRODUCTS, INC.	
*ALL DIMENSIONS IN MM					
DECIMALS: MM X.XX = ±0.13 X.X = ±0.25 ANGLES: MACH. = ±0.5° CHAM. = ±5°		APPROVALS	DATE	B DWG NO. STM23Xx-2xx	REV
COMPUTER DATA BASE DRAWING		DRAWN K.KESLER CHECKED R.JONEZ APPROVED -	6/4/19 6/4/19 -		SCALE: NONE
				SHEET 1 OF 1	