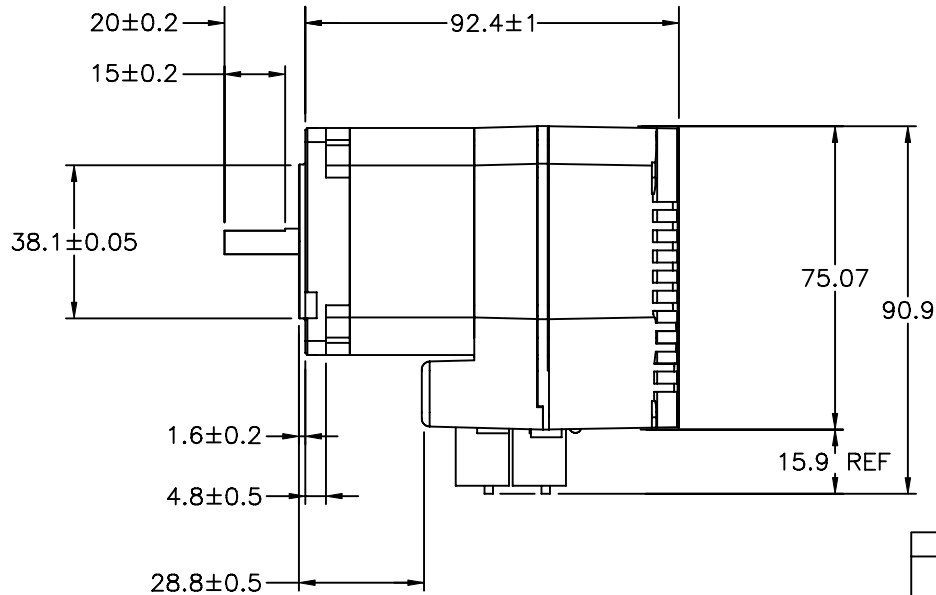
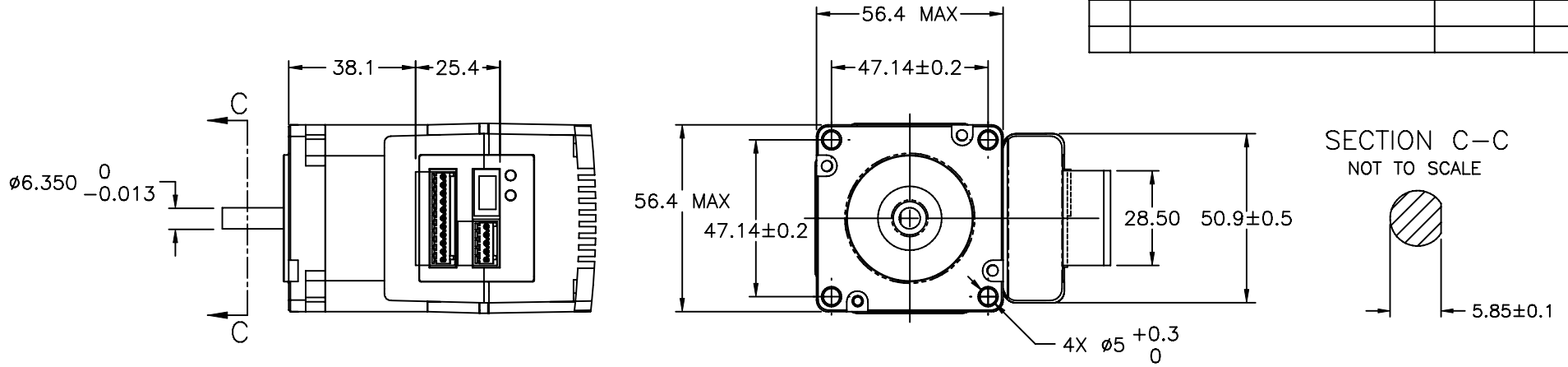


REVISIONS			
REV	DESCRIPTION	DATE	APPROVED
A	INITIAL RELEASE PER ECO 5782	6/16/08	J KORDIK
B	REVISE PER ECO 6204	12/6/10	J AMOS



MODEL	OPTIONS
STM23S-2RN	RS485, NO ENCODER
STM23S-2RE	RS485, ENCODER
STM23Q-2RN	RS485, NO ENCODER
STM23Q-2RE	RS485, ENCODER

TOLERANCES DECIMALS: MM (INCH) X.XXX = ± (.005) X.XX = ±0.13 (.010) X.X = ±0.25 (.020) ANGLES: MACH. = ±.5° CHAM. = ±5°		THIRD ANGLE PROJECTION 			
APPROVALS DRAWN: <i>R. JONEZ</i> CHECKED:		DATE: <i>5/29/08</i>			
COMPUTER DATA BASE DRAWING		APPROVED:		MOTOR OUTLINE DWG NO. STM23X-2RX	
SCALE: FULL		SHEET 1 OF 1		REV B	