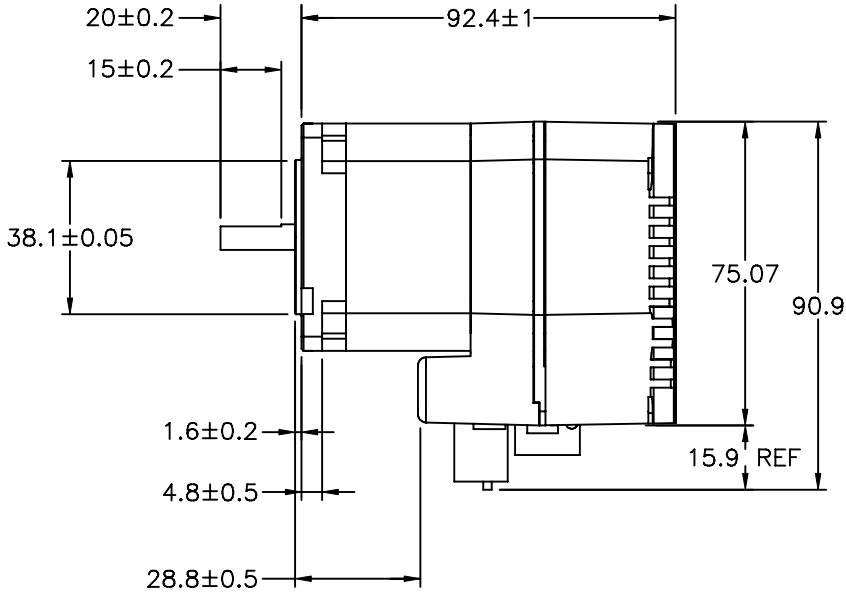
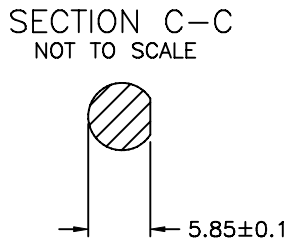
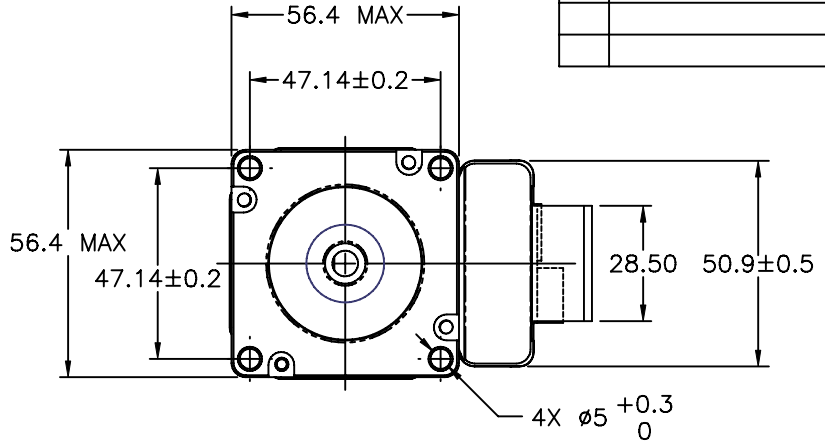
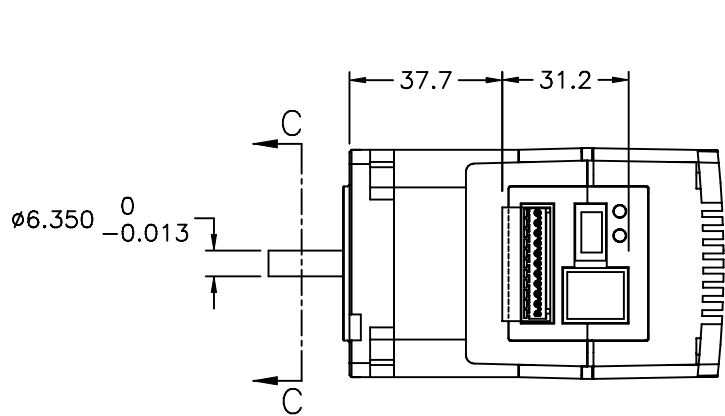


REVISIONS			
REV	DESCRIPTION	DATE	APPROVED
A	INITIAL RELEASE PER ECO 5782	6/16/08	J KORDIK
B	REVISE PER ECO 6204	12/6/10	J AMOS



MODEL	OPTIONS
STM23S-2AN	RS232, NO ENCODER
STM23S-2AE	RS232, ENCODER
STM23Q-2AN	RS232, NO ENCODER
STM23Q-2AE	RS232, ENCODER

TOLERANCES	THIRD ANGLE PROJECTION	
DECIMALS: MM (INCH)		
X.XXX = ± (.005)		
X.XX = ±0.13 (.010)	APPROVALS	DATE
X.X = ±0.25 (.020)	DRAWN <i>R. JONEZ</i>	5/29/08
ANGLES:	CHECKED	
MACH. = ±.5°	APPROVED	
CHAM. = ±5°		
COMPUTER DATA BASE DRAWING		



MOTOR OUTLINE

B	DWG NO. STM23X-2AX	REV B
SCALE: FULL		SHEET 1 OF 1