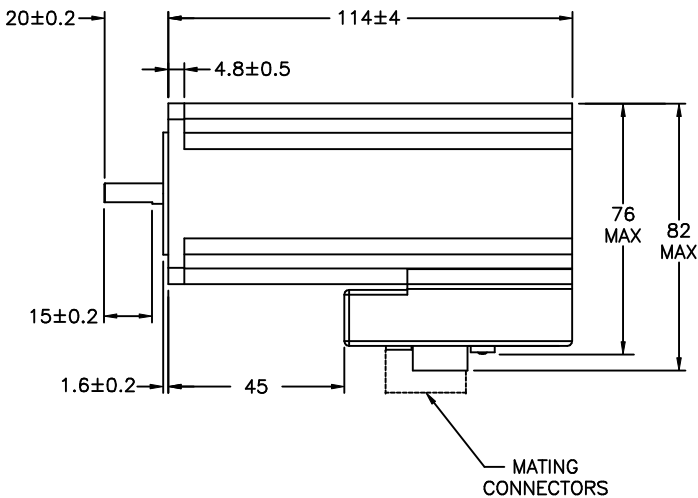
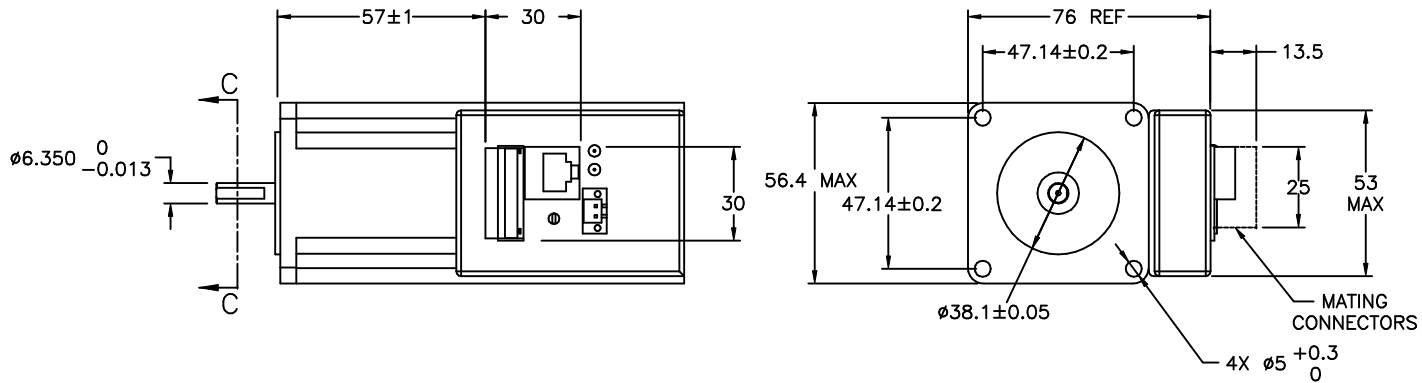
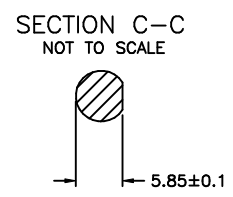
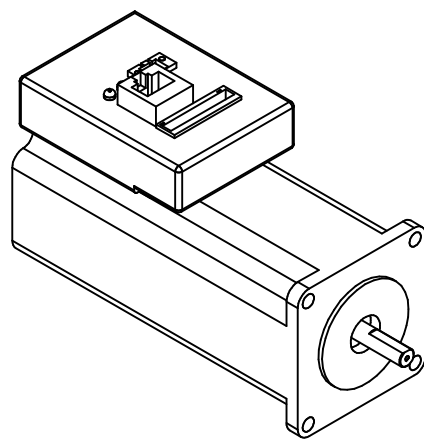


REVISIONS			
REV	DESCRIPTION	DATE	APPROVED
A	INITIAL RELEASE PER ECO 6473	3/22/12	J KORDIK
B	NEW ENCODER CAUSED SIZE CHANGE	6/28/12	J KORDIK
C	DRAWING CLEANUP PER ECO 6978	6/16/14	J KORDIK



STM23S-3XX



TOLERANCES		THIRD ANGLE PROJECTION		APPLIED MOTION PRODUCTS, INC.	
DECIMALS: MM (INCH) X.XXX = ± (.005) X.XX = ±0.13 (.010) X.X = ±0.25 (.020) ANGLES: MACH. = ±.5° CHAM. = ±5°					
COMPUTER DATA BASE DRAWING		APPROVALS	DATE	MOTOR OUTLINE DWG NO. STM23S-3XX	
		DRAWN R. JONEZ CHECKED	3/19/12		
		APPROVED		SCALE: FULL	SHEET 1 OF 1