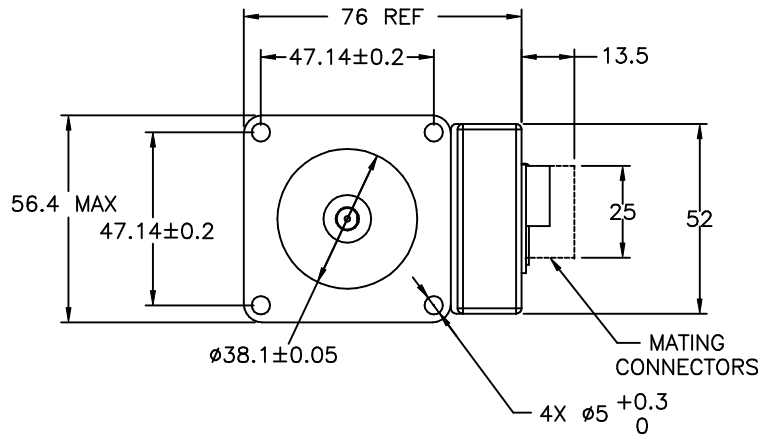
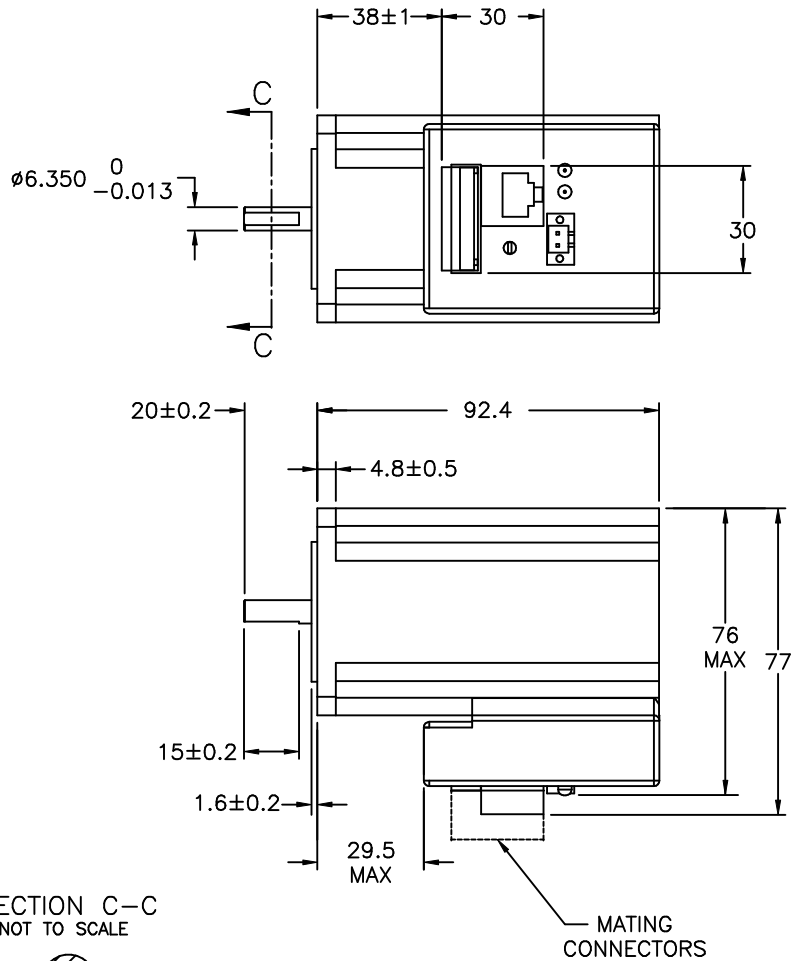
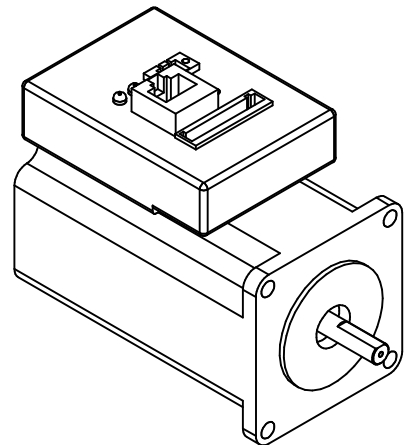


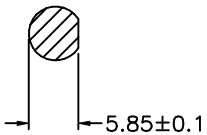
REVISIONS			
REV	DESCRIPTION	DATE	APPROVED
A	INITIAL RELEASE PER ECO 6473	3/22/12	J KORDIK
B	NEW ENCODER CAUSED SIZE CHANGE	6/28/12	J KORDIK
C	DRAWING CLEANUP PER ECO 6978	6/16/14	J KORDIK



STM23S-2XX



SECTION C-C
NOT TO SCALE



TOLERANCES		THIRD ANGLE PROJECTION		APPLIED MOTION PRODUCTS, INC.			
DECIMALS: MM (INCH) X.XXX = \pm (.005) X.XX = ± 0.13 (.010) X.X = ± 0.25 (.020)				MOTOR OUTLINE			
ANGLES: MACH. = $\pm 5^\circ$ CHAM. = $\pm 5^\circ$		APPROVALS	DATE			B	DWG NO. STM23S-2XX
COMPUTER DATA BASE DRAWING		DRAWN R. JONEZ CHECKED		3/5/12		SCALE: NONE	SHEET 1 OF 1