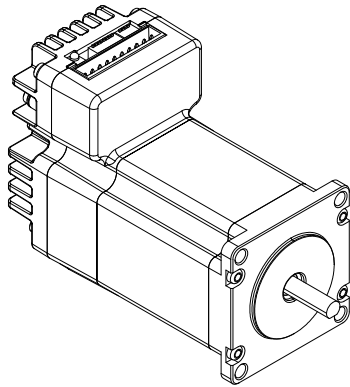
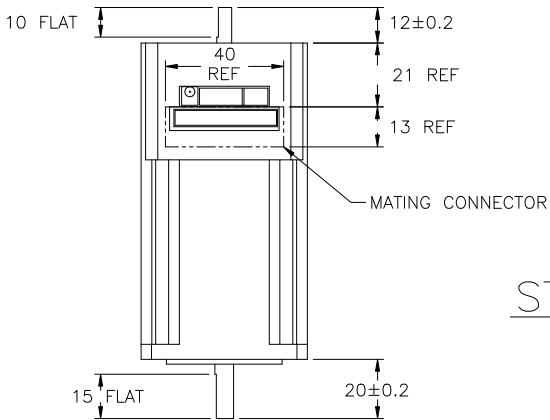
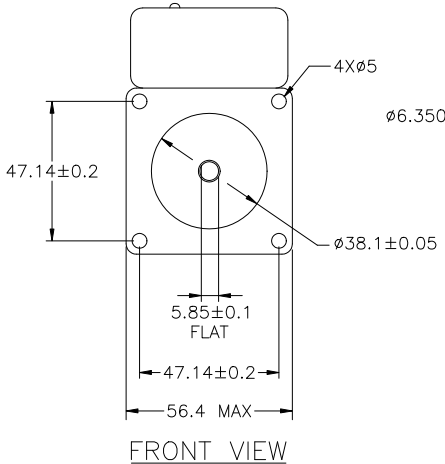


REVISIONS				
ECO NO.	REV	DESCRIPTION	DATE	APPROVED
6472	A	INITIAL RELEASE	3/22/12	J KORDIK
6865	B	DIMENSION CHANGE	10/28/13	J KORDIK

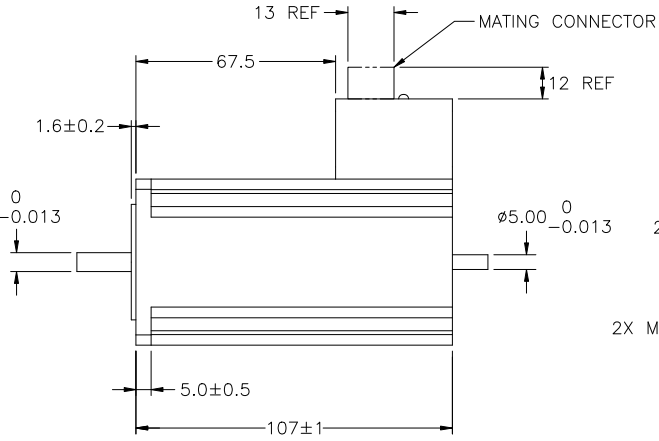
TOP VIEW



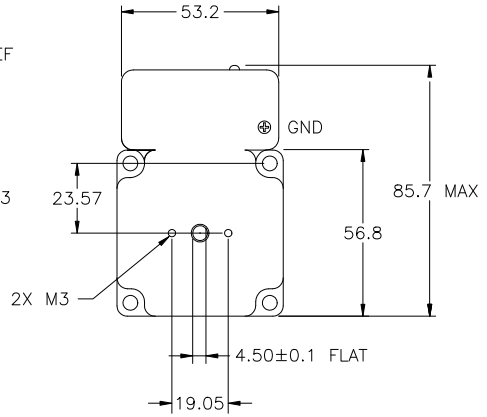
STM23R-3ND



FRONT VIEW



SIDE VIEW



REAR VIEW

TOLERANCES	THIRD ANGLE PROJECTION	
DECIMALS: MM (INCH)		
X.XXX = ± (.005)		
X.XX = ±0.13 (.010)	APPROVALS	DATE
X.X = ±0.25 (.020)	DRAWN	
ANGLES:	<i>R. JONEZ</i>	3/16/12
MACH. = ±.5°	CHECKED	
CHAM. = ±5°	APPROVED	
COMPUTER DATA BASE DRAWING		



INTEGRATED MOTOR

B	DWG NO.	STM23R-3ND	REV	B
SCALE: NONE		SHEET 1 OF 1		