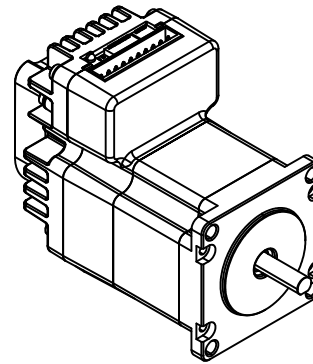
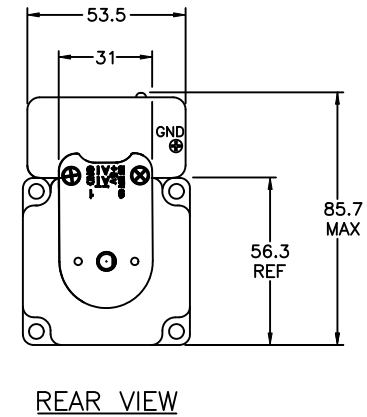
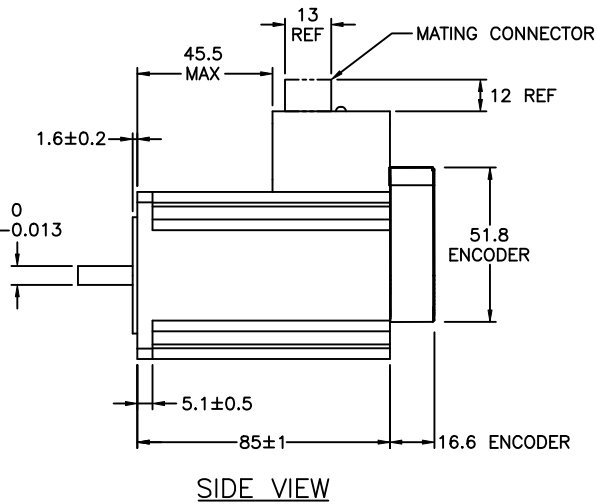
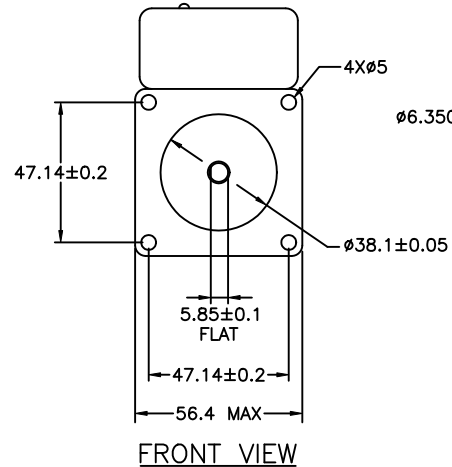
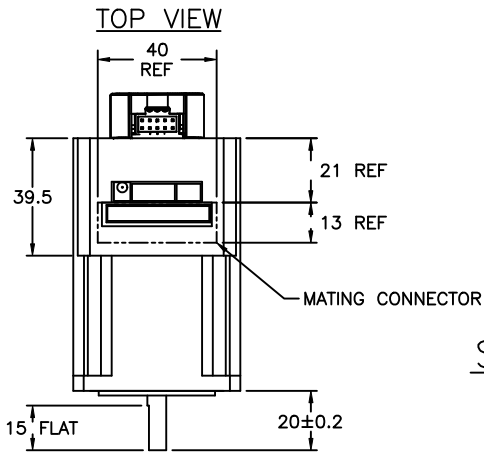


REVISIONS				
ECO NO.	REV	DESCRIPTION	DATE	APPROVED
6472	A	INITIAL RELEASE	3/22/12	J KORDIK
6853	B	REVISED DIMENSIONS	9/26/13	J KORDIK



STM23R-2NE



TOLERANCES DECIMALS: MM (INCH) X.XXX = ± (.005) X.XX = ±0.13 (.010) X.X = ±0.25 (.020) ANGLES: MACH. = ±.5° CHAM. = ±5°		THIRD ANGLE PROJECTION 		 APPLIED MOTION PRODUCTS, INC.	
APPROVALS DRAWN R. JONEZ CHECKED APPROVED		DATE 3/16/12		INTEGRATED MOTOR	
COMPUTER DATA BASE DRAWING		APPROVED		B DWG NO.	STM23R-2NE REV B
SCALE: NONE				SHEET 1 OF 1	