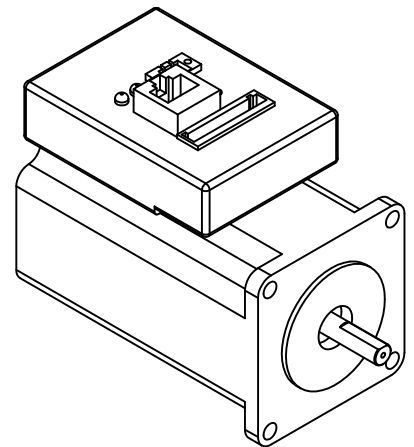
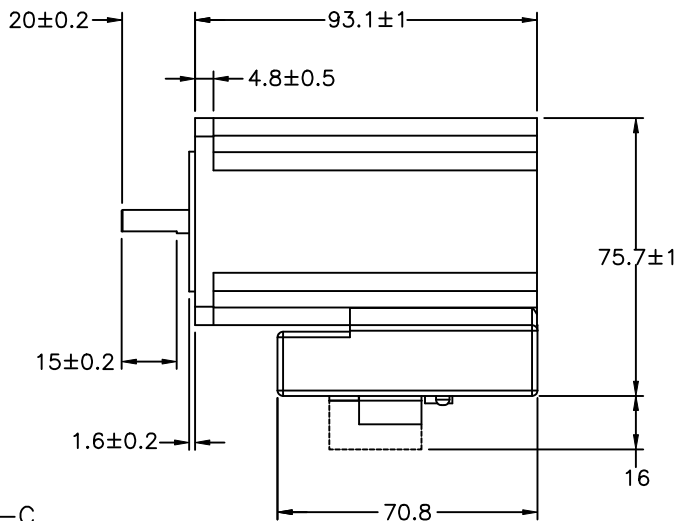
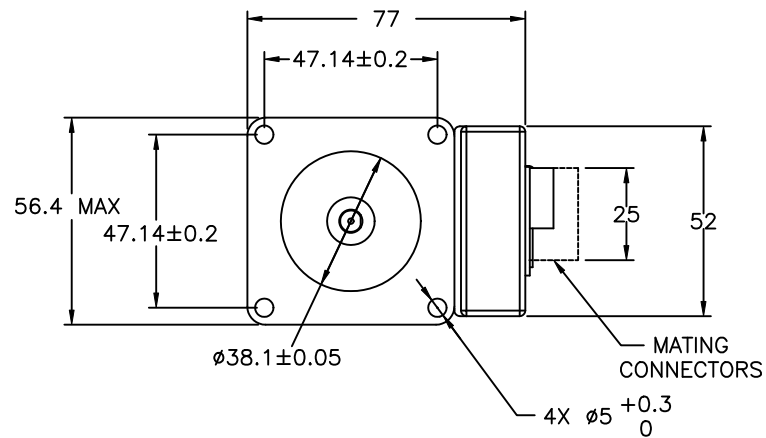
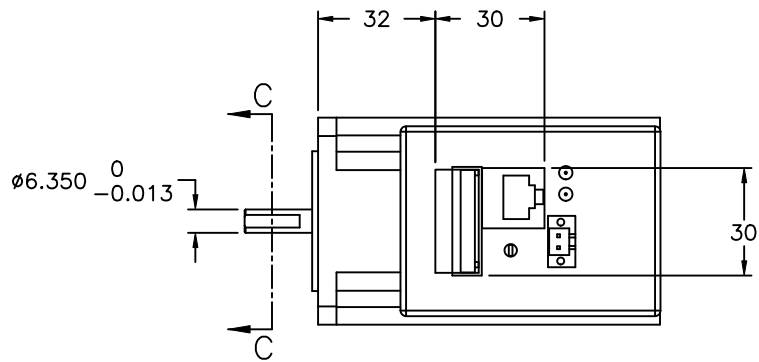
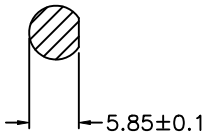


| REVISIONS | | | |
|-----------|------------------------------|---------|----------|
| REV | DESCRIPTION | DATE | APPROVED |
| A | INITIAL RELEASE PER ECO 6473 | 3/22/12 | J KORDIK |
| | | | |
| | | | |



STM23S-2EN

SECTION C-C
NOT TO SCALE



| TOLERANCES | | THIRD ANGLE PROJECTION | | APPLIED MOTION PRODUCTS, INC. | |
|--|--|--|----------------|-------------------------------|--------------|
| DECIMALS: MM (INCH) X.XXX = ± (.005) X.XX = ±0.13 (.010) X.X = ±0.25 (.020) ANGLES: MACH. = ±.5° CHAM. = ±5° | | | | MOTOR OUTLINE | |
| COMPUTER DATA BASE DRAWING | | APPROVALS DRAWN <i>R. JONEZ</i> CHECKED | DATE 3/5/12 | | |
| | | APPROVED | | B DWG NO. | STM23S-2EN |
| | | | | SCALE: FULL | SHEET 1 OF 1 |