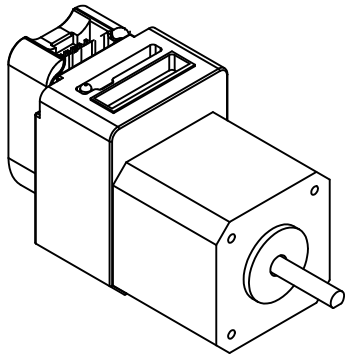
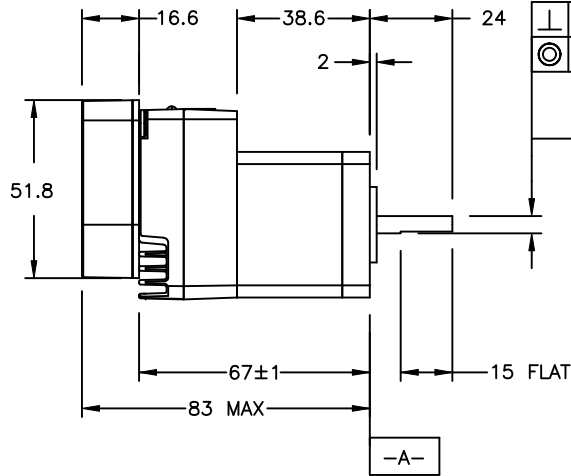
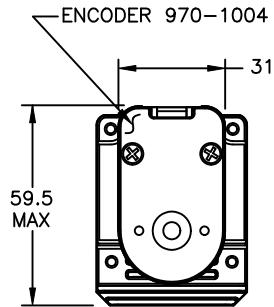


REVISIONS				
ECO NO.	REV	DESCRIPTION	DATE	APPROVED
6448	A	INITIAL RELEASE	2/23/12	J Kordik
6853	B	REVISED DIMENSIONS	9/26/13	J Kordik

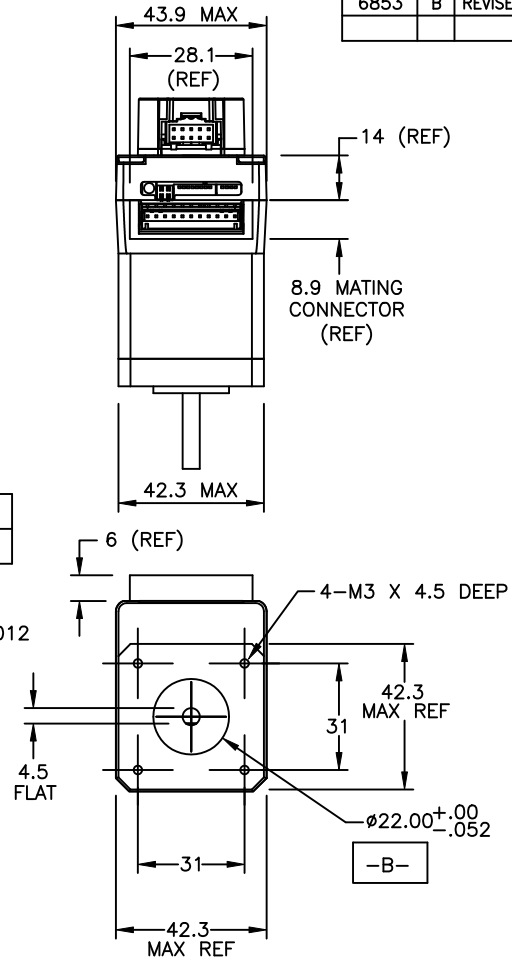


STM17R-3NE



\perp	0.10	A
\odot	0.05	B

2X $\phi 5.000^{0}_{-0.012}$



<p>TOLERANCES</p> <p>DECIMALS: MM (INCH)</p> <p>X.XXX = ± (.005)</p> <p>X.XX = ±0.13 (.010)</p> <p>X.X = ±0.25 (.020)</p> <p>ANGLES:</p> <p>MACH. = ±.5°</p> <p>CHAM. = ±5°</p>	THIRD ANGLE PROJECTION		<p>APPLIED MOTION PRODUCTS, INC.</p>	
				<p>INTEGRATED MOTOR</p>
	<p>APPROVALS</p> <p>DRAWN</p> <p>CHECKED</p>	<p>DATE</p> <p>2/1/11</p>	<p>B DWG NO.</p> <p>STM17R-3NE</p>	
	<p>COMPUTER DATA BASE DRAWING</p>	<p>APPROVED</p>	<p>SCALE: NONE</p>	<p>SHEET 1 OF 1</p>