

4

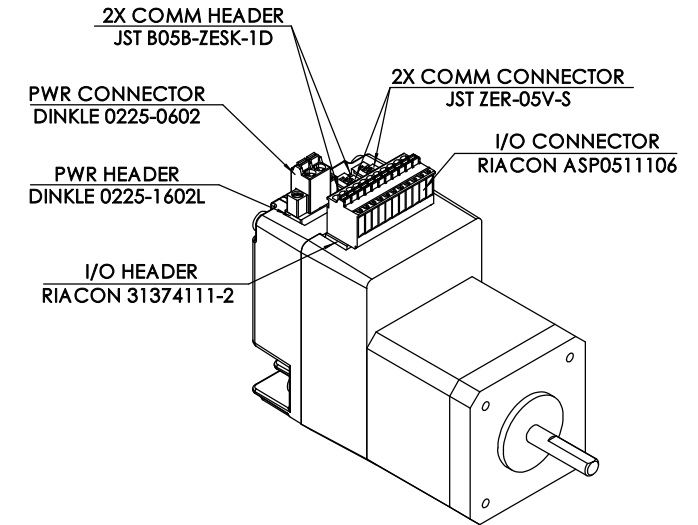
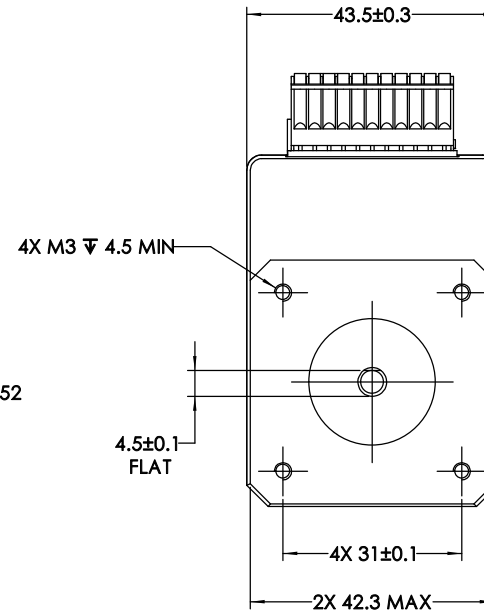
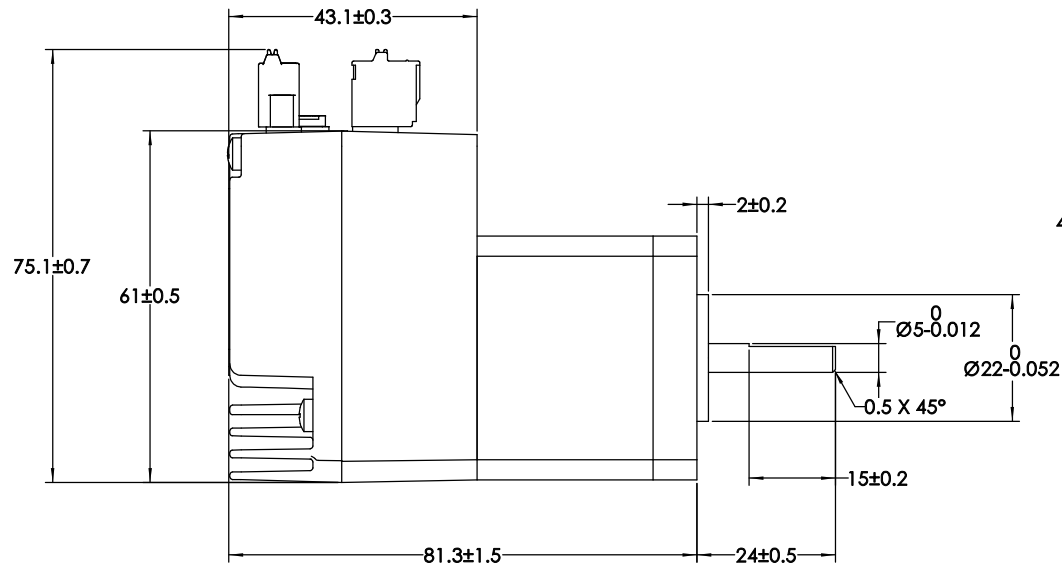
3

2

1

REVISIONS				
ECO #	REV.	DESCRIPTION	DATE	APPROVED
6156	A	INITIAL RELEASE	8/4/2010	J. KORDIK
7354	B	ADD TOLERANCES	1/19/2016	J. KORDIK
8734	C	POWER CONNECTOR PART CHANGE, SPECS ADDED	12/20/2021	M. MARONEY

B



B

A

SPECIFICATIONS			
INPUT VOLTAGE	12 TO 48 VDC	HOLDING TORQUE	0.6N · m
STEP ANGLE	1.8°	MAX AXIAL LOAD	5.1N [2]
STEP ACCURACY	±0.09°	MAX RADIAL LOAD	20N [2]
OPERATING TEMP	0 TO 40°C	RADIAL PLAY	0.02mm MAX (500gf RADIAL LOAD)
STORAGE TEMP	-20 TO 50°C	END PLAY	0.08mm MAX (500gf AXIAL LOAD)
TEMP RISE	80°C MAX	SHAFT RUNOUT	0.05mm T.I.R. MAX
ROTOR INERTIA	82g · cm ²	WEIGHT	520g
IP RATING	IP20	APPROVALS	CE, RoHS

NOTES:

- REFER TO PRODUCT HARDWARE MANUAL ON APPLIED-MOTION.COM FOR MORE DETAILS.
- SHAFT LOADS FOR L₁₀ LIFE OF 20,000 HOURS AT 1000 RPM. RADIAL LOAD AT END OF SHAFT.

A

<p>Applied Motion Products A MOONS' COMPANY</p> <p>PROPRIETARY AND CONFIDENTIAL</p> <p>THE INFORMATION CONTAINED IN THIS DRAWING IS THE SOLE PROPERTY OF APPLIED MOTION PRODUCTS. ANY REPRODUCTION IN PART OR AS A WHOLE WITHOUT THE WRITTEN PERMISSION OF APPLIED MOTION PRODUCTS IS PROHIBITED.</p>	THIRD ANGLE PROJECTION				<p>TITLE:</p> <p>INTEGRATED STEPPER MOTOR</p>
	UNLESS OTHERWISE SPECIFIED: DIMENSIONS ARE IN MILLIMETERS	DRAWN	Tang Jiadong	Sep 17, 2021	
	TOLERANCES: - ANGULAR: ± 0.5 - ONE DECIMAL PLACE: ± 0.25 - TWO DECIMAL PLACES: ± 0.13	PRE-CHECK	Guo Wenxiang	Sep 17, 2021	
		PRE-APPROVAL	Wang Wei	Sep 17, 2021	
	FIN.CHECK	K. KESLER	Dec 20, 2021		
	MATERIAL	-			SIZE
	FINISH	-			DWG. NO.
	DO NOT SCALE DRAWING				STM17C-3CN
					REV
					C
					SCALE: 1:1
					SHEET 1 OF 1

4

3

2

1