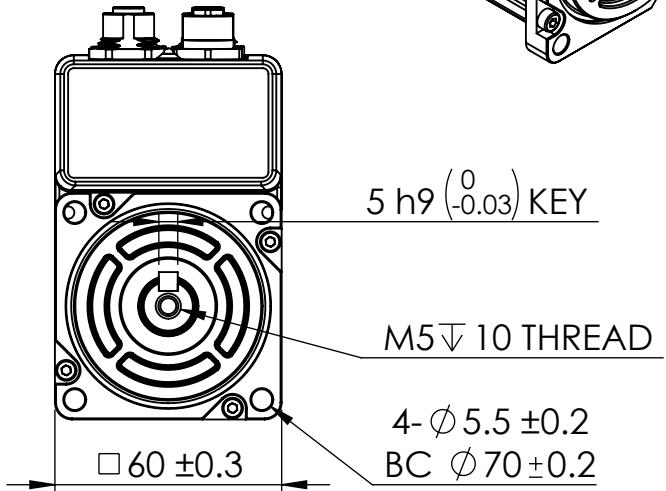
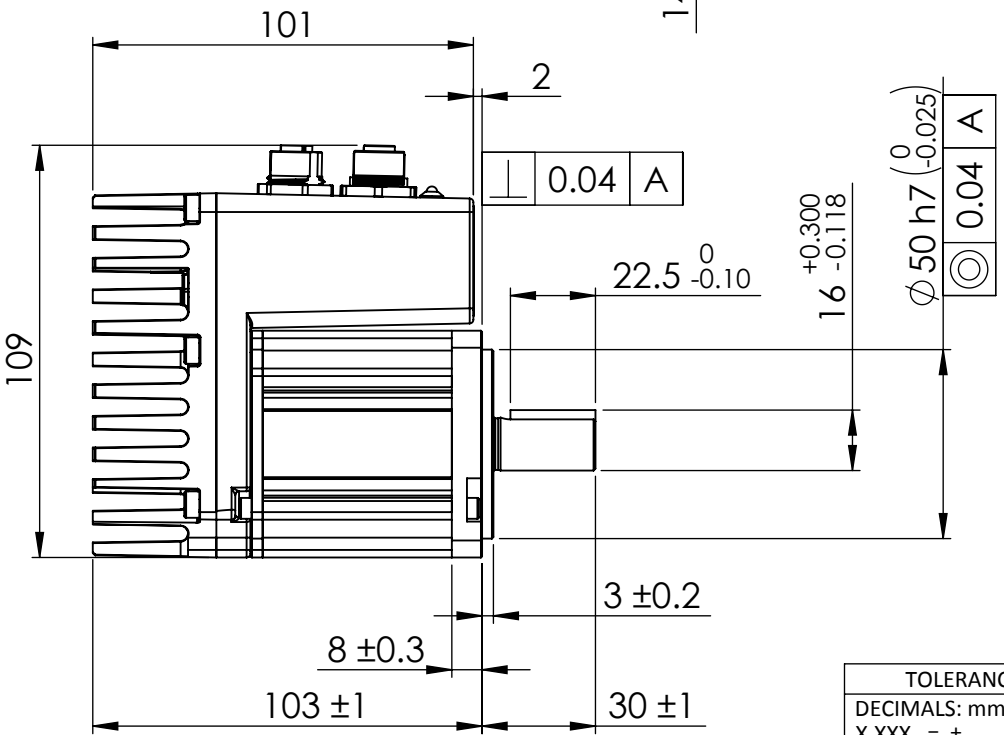
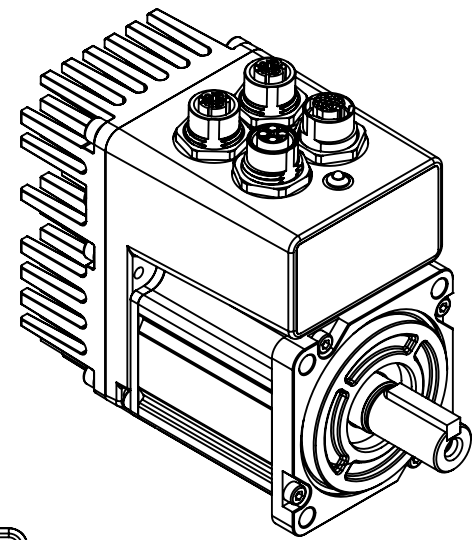
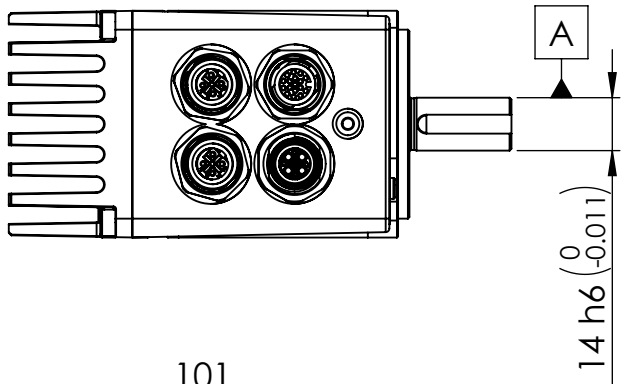


REVISIONS				
ECO #	REV.	DESCRIPTION	DATE	APPROVED
7885	A	Initial Release	3/14/18	J.KORDIK
8157	B	Heatsink Change	3/5/19	J.KORDIK
-	-	-	-	-



TOLERANCES
DECIMALS: mm
X.XXX = ±
X.XX = ± 0.13
X.X = ± 0.25
CHAM. = ± 5°
FINISH:
-
MATERIAL:
-

THIRD ANGLE PROJECTION	
APPROVALS	DATE
DRAWN: K.KESLER	3/5/19
CHECKED: R.JONEZ	3/5/19
APPROVED: J.KORDIK	3/5/19



INTEGRATED SERVO MOTOR			
SIZE:	DWG #:	REV:	
8.5X11"	MDXL61GN3IPB000	B	
SCALE: 1/2		SHEET: 1 OF 1	

Notes:  
1. The key is shipped with motor, but not installed.