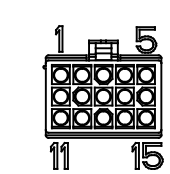
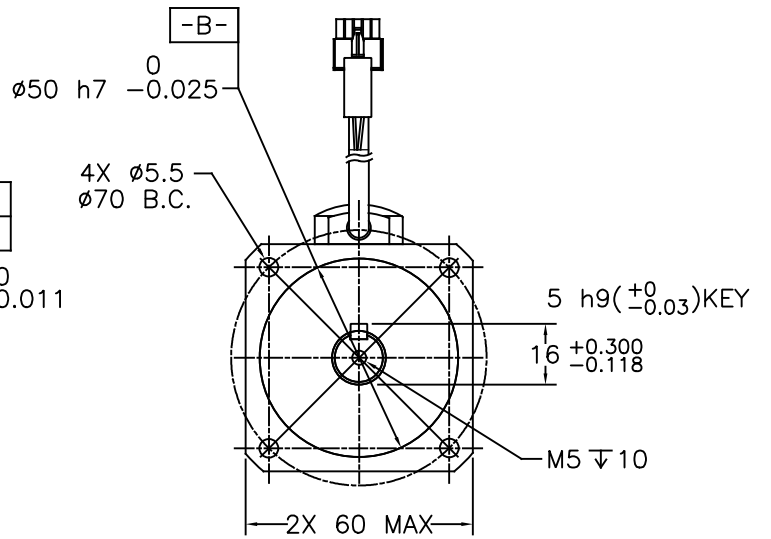
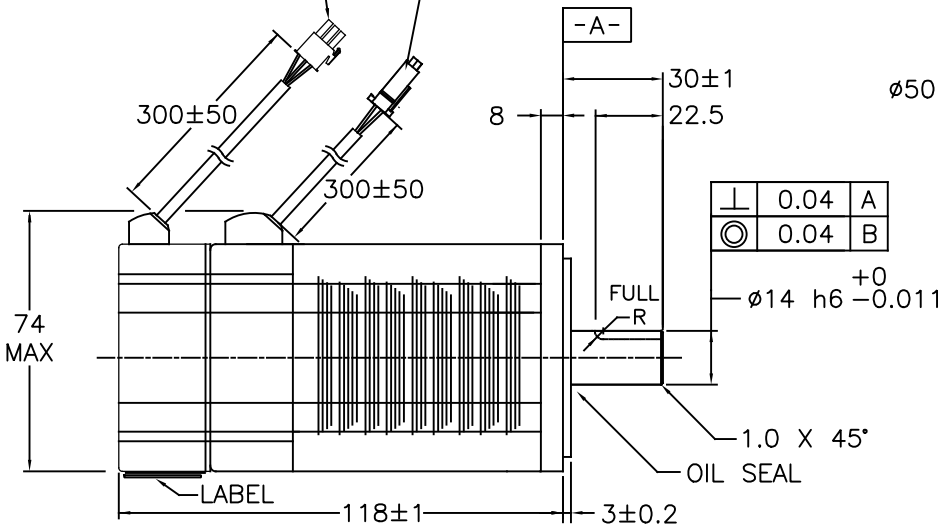
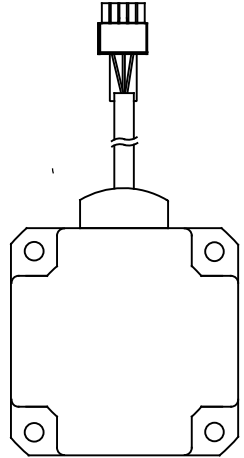


REVISIONS			
REV	DESCRIPTION	DATE	APPROVED
A	INITIAL RELEASE ECO 7060	9/15/14	J KORDIK
B	POWER CONN REVISED ECO 7060	3/16/15	J KORDIK
C	REVISE SPEC PER ECO 7205	5/8/15	J Kordik
D	ADD UL TO LABEL PER ECO 7330	10/12/15	J KORDIK
E	SPECS REVISED PER ECO 7510	10/12/15	J KORDIK
F	LABEL/SPECS REVISED PER ECO 7950	5/4/18	J KORDIK



ENCODER CONNECTOR
CONNECTOR: AMP 172171-1
770835-1 contacts (strip)
VIEWING MATING END

MOTOR POWER CONNECTOR
CONNECTOR: AMP 350779-1
350218-1 contacts (strip)
VIEWING MATING END

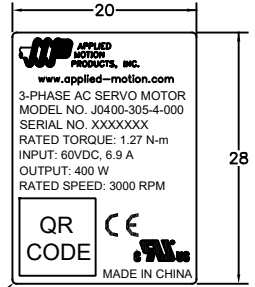


⊥	0.04	A
⊙	0.04	B

ø14 h6 +0/-0.011

ENCODER CONNECTION TABLE		
PIN	LEAD COLOR	SIGNAL
1	RED	+5V
2	BLACK	GROUND
3	BROWN	U+
4	BROWN/BLACK	U-
5	GRAY	V+
6	GRAY/BLACK	V-
7	WHITE	W+
8	WHITE/BLACK	W-
9	BLUE/BLACK	A+
10	BLUE	A-
11	GREEN	B+
12	GREEN/BLACK	B-
13	YELLOW	Z+
14	YELLOW/BLACK	Z-
15	SHIELD	SHIELD

MOTOR CONNECTION TABLE		
PIN	LEAD COLOR	SIGNAL
1	RED	PHASE U
2	YELLOW	PHASE V
3	BLUE	PHASE W
4	YELLOW/GREEN	GROUND



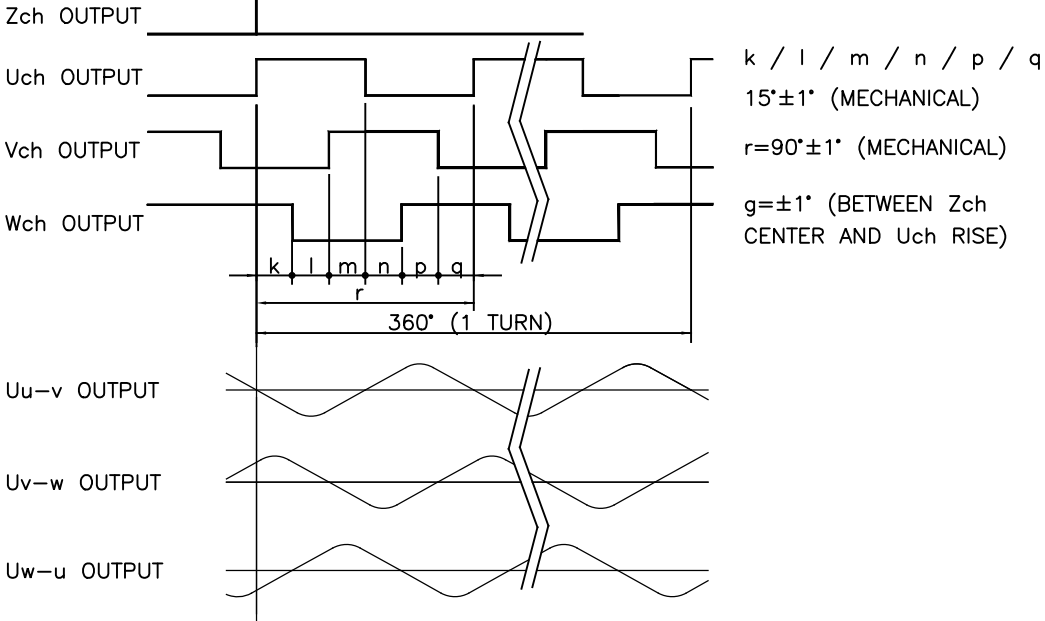
R 1.5
4PLCS

- NOTES: UNLESS OTHERWISE SPECIFIED
1. A SHAFT SEAL IS SHIPPED WITH MOTOR, BUT NOT INSTALLED.
 2. TIMING LOGIC IS CCW AS VIEWED FROM FRONT SHAFT.
 3. MOTOR IS IP65, EXCEPT SHAFT OPENING AND CABLE CONNECTOR.
 4. INSTALL INDOORS, AWAY FROM DIRECT SUNLIGHT AND FLAMMABLE GASES.
 5. 1000M MAX ALTITUDE.

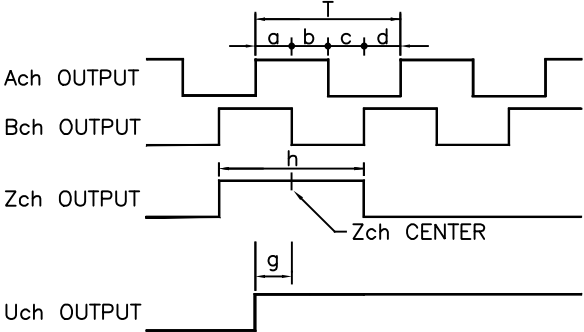
TOLERANCES DECIMALS: MM (INCH) X.XXX = ±0.013 (.005) X.XX = ±0.25 (.01) X.X = ±2.5 (0.1) ANGLES: MACH. = ±.5° CHAM. = ±5°	THIRD ANGLE PROJECTION				APPLIED MOTION PRODUCTS, INC.
	APPROVALS DRAWN R. JONEZ CHECKED APPROVED	DATE 9/11/14			
COMPUTER DATA BASE DRAWING	SCALE: NONE		SHEET 1 OF 2		

AC SERVO MOTOR SPECIFICATION – PERMANENT MAGNET 8 POLES		
INPUT POWER SUPPLY	VAC	60VDC
RATED OUTPUT	W	400
VOLTAGE CONSTANT	V(rms)/K(rpm)±10%	19.3
RATED WINDING CURRENT	A (rms)	6.9
PEAK WINDING CURRENT	A (rms)	20.7
WINDING RESISTANCE	V ±10%@20°C	0.57 LINE-TO-LINE
WINDING INDUCTANCE	mH ±20%	2 LINE-TO-LINE
RATED TORQUE	Nm	1.27
PEAK TORQUE	Nm	3.8
TORQUE CONSTANT	Nm/A(rms) ±10%	0.184
RATED SPEED	rpm/min	3000
MAXIMUM SPEED	rpm/min	6000
WEIGHT	KG (LBS)	1.4
INSULATION CLASS		B 130°C
ENCODER RESOLUTION		2500 LINES/REV.
SHAFT LOAD – AXIAL	MAX	70 N/15LB
SHAFT LOAD – RADIAL	MAX	240 N/54LB
MOTOR RATING	REF NOTE 3	IP65
AMBIENT TEMPERATURE	OPERATING	0 TO 40°C
AMBIENT TEMPERATURE	STORAGE	-20 TO 80°C
AMBIENT HUMIDITY MAX		85%
INERTIA – WITH ENCODER	kg m ²	0.272X10 ⁻⁴

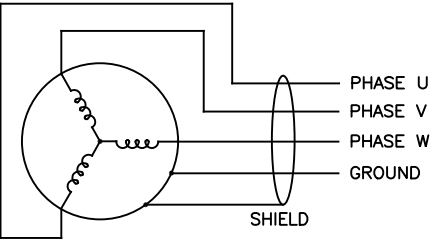
TIMING LOGIC / ENCODER SIGNALS
(NOT TO SAME SCALE AS OTHER DETAIL)




TIMING LOGIC / ENCODER SIGNALS



$T = \frac{360 \text{ DEGREES}}{2500C/T}$
 $a, b, c, d = T/4 \pm T/8$
 $h = T \pm T/2$



CONTRACT NO.		 APPLIED MOTION PRODUCTS, INC.			
APPROVALS	DATE				
DRAWN <i>R. JONEZ</i>	9/11/14	SERVO MOTOR SPECIFICATIONS			
CHECKED					
APPROVED		B	FSCM NO.	DWG NO. J0400-305-4-000	REV F
APPROVED			SCALE: NONE	SHEET 2 OF 2	