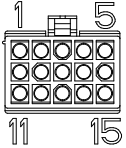


REVISIONS			
REV	DESCRIPTION	DATE	APPROVED
A	INITIAL RELEASE ECO 7005	6/10/14	J KORDIK
B	ADD LABEL ECO 7060	9/15/14	J KORDIK
C	REVISE SPEC PER ECO 7205	5/8/15	J Kordik
D	ADD UL TO LABEL PER ECO 7330	10/12/15	J KORDIK
E	SPECS REVISED PER ECO 7510	10/19/16	J KORDIK

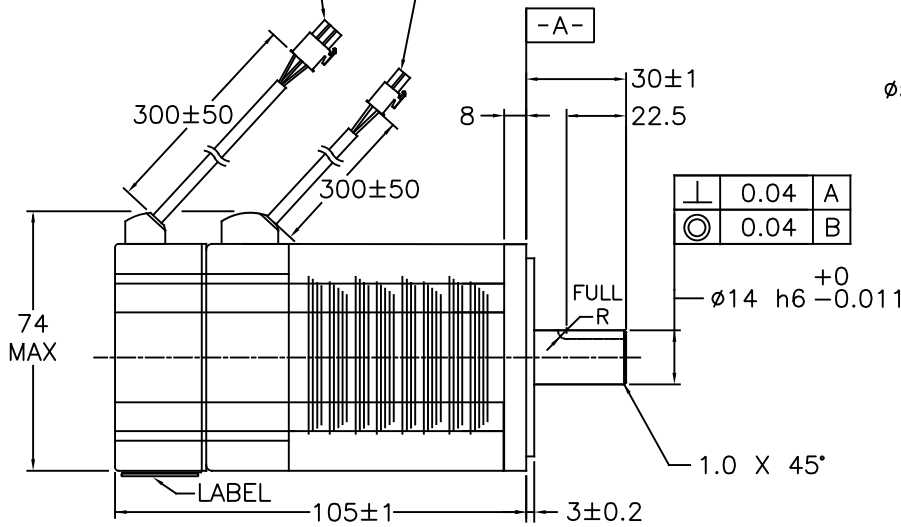
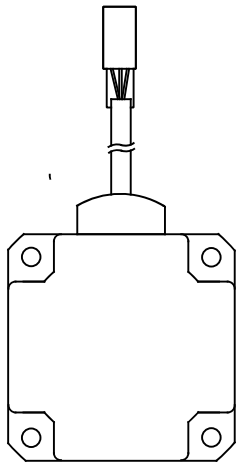
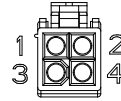
ENCODER CONNECTOR

CONNECTOR: AMP 172171-1
770835-1 contacts (strip)
VIEWING MATING END



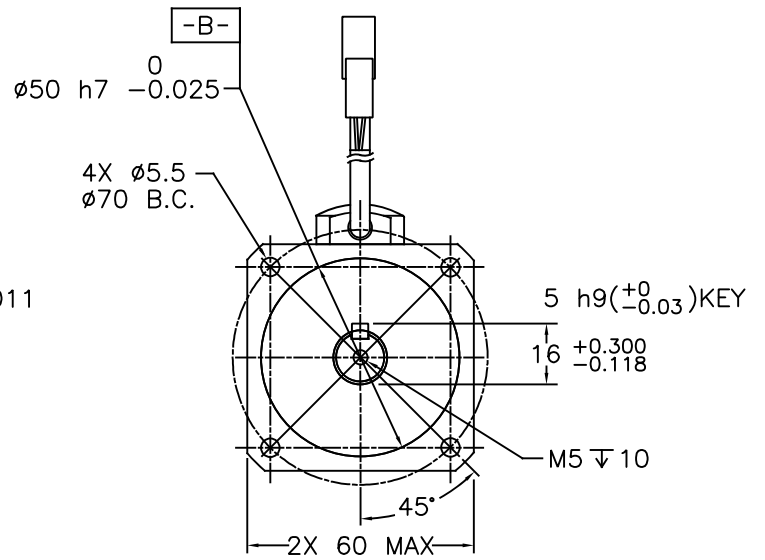
MOTOR POWER CONNECTOR

CONNECTOR: AMP 172167-1
170360-1 contacts (strip)
VIEWING MATING END



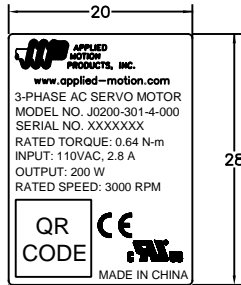
⊥	0.04	A
⊙	0.04	B

φ14 h6 ⁺⁰/_{-0.011}



ENCODER CONNECTION TABLE		
PIN	LEAD COLOR	SIGNAL
1	RED	+5V
2	BLACK	GROUND
3	BROWN	U+
4	BROWN/BLACK	U-
5	GRAY	V+
6	GRAY/BLACK	V-
7	WHITE	W+
8	WHITE/BLACK	W-
9	BLUE/BLACK	A+
10	BLUE	A-
11	GREEN	B+
12	GREEN/BLACK	B-
13	YELLOW	Z+
14	YELLOW/BLACK	Z-
15	SHIELD	SHIELD

MOTOR CONNECTION TABLE		
PIN	LEAD COLOR	SIGNAL
1	RED	PHASE U
2	YELLOW	PHASE V
3	BLUE	PHASE W
4	YELLOW/GREEN	GROUND



R 1.5
4PLCS

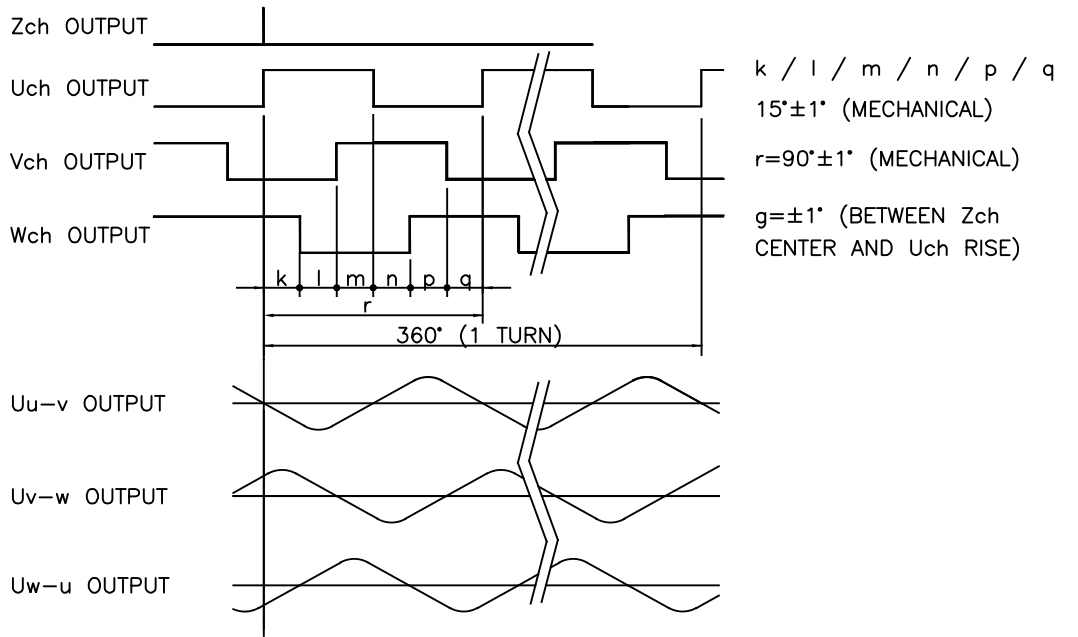
NOTES: UNLESS OTHERWISE SPECIFIED

1. A SHAFT SEAL IS SHIPPED WITH MOTOR, BUT NOT INSTALLED.
2. TIMING LOGIC IS CCW AS VIEWED FROM FRONT SHAFT.
3. MOTOR IS IP65, EXCEPT SHAFT OPENING AND CABLE CONNECTOR.
4. INSTALL Indoors, AWAY FROM DIRECT SUNLIGHT AND FLAMMABLE GASES.
5. 1000M MAX ALTITUDE.

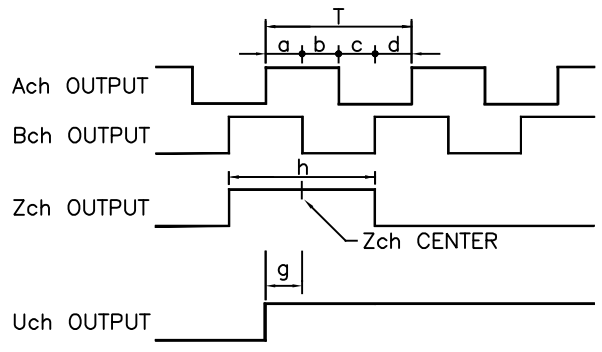
TOLERANCES		THIRD ANGLE PROJECTION		APPROVALS		DATE	
DECIMALS: MM (INCH)				DRAWN R.JONEZ		5/19/14	
X.XXX = ±0.013 (.005)				CHECKED			
X.XX = ±0.25 (.01)				APPROVED			
X.X = ±2.5 (0.1)							
ANGLES:							
MACH. = ±.5°							
CHAM. = ±5°							
COMPUTER DATA							
BASE DRAWING							
				AC SERVO MOTOR			
				B		DWG NO. J0200-301-4-000	
						REV E	
				SCALE: NONE		SHEET 1 OF 2	

AC SERVO MOTOR SPECIFICATION – PERMANENT MAGNET 8 POLES		
INPUT POWER SUPPLY	VAC	120
RATED OUTPUT	W	200
VOLTAGE CONSTANT	V(rms)/K(rpm)±10%	13.6
RATED WINDING CURRENT	A (rms)	3
PEAK WINDING CURRENT	A (rms)	9
WINDING RESISTANCE	V ±10%@20°C	2.1 LINE-TO-LINE
WINDING INDUCTANCE	mH ±20%	6.1 LINE-TO-LINE
RATED TORQUE	Nm(kgf-cm)	0.64(6.52)
PEAK TORQUE	Nm(kgf-cm)	1.9(19.37)
TORQUE CONSTANT	Nm/A(rms) ±10%	0.216
RATED SPEED	rpm/min	3000
MAXIMUM SPEED	rpm/min	6000
WEIGHT	KG (LBS)	1.1(2.3)
INSULATION CLASS		B 130°C
ENCODER RESOLUTION		2500 LINES/REV.
SHAFT LOAD – AXIAL	N(MAX)	70 N/15LB
SHAFT LOAD – RADIAL	N(MAX)	200 N/45LB
MOTOR RATING	REF NOTE 3	IP65
AMBIENT TEMPERATURE	OPERATING	0 TO 40°C
AMBIENT TEMPERATURE	STORAGE	-20 TO 80°C
AMBIENT HUMIDITY MAX		85%
INERTIA – WITH ENCODER	kg m ²	0.000165

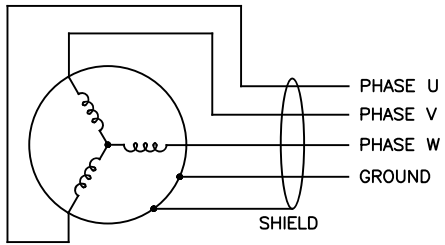
TIMING LOGIC / ENCODER SIGNALS
(NOT TO SAME SCALE AS OTHER DETAIL)




TIMING LOGIC / ENCODER SIGNALS



$T = \frac{360 \text{ DEGREES}}{2500C/T}$
 $a, b, c, d = T/4 \pm T/8$
 $h = T \pm T/2$



CONTRACT NO.		 APPLIED MOTION PRODUCTS, INC.			
APPROVALS	DATE				
DRAWN R.JONEZ	5/19/14	SERVO MOTOR SPECIFICATIONS			
CHECKED					
APPROVED		B	FSCM NO.	DWG NO. J0200-301-4-000	REV E
APPROVED			SCALE: NONE	SHEET 2 OF 2	