

REVISIONS			
REV	DESCRIPTION	DATE	APPROVED
A	INITIAL RELEASE ECO 7005	6/10/14	J KORDIK
B	REVISE LENGTH ECO 7055	8/28/14	J KORDIK
C	ADD LABEL/SPEC CHG ECO 7060	9/15/14	J KORDIK
D	REVISE SPEC PER ECO 7205	5/8/15	J Kordik
E	ADD UL TO LABEL PER ECO 7330	10/12/15	J KORDIK
F	SPECS REVISED PER ECO 7510	10/19/16	J KORDIK
G	MOTOR REVISED PER ECO 7689	3/14/18	L Liu

⊥	0.04	A
⊙	0.04	B

⊥ 0.04 A  
⊙ 0.04 B

⊥ 0.04 A  
⊙ 0.04 B

⊥ 0.04 A  
⊙ 0.04 B

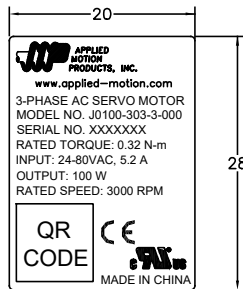
⊥ 0.04 A  
⊙ 0.04 B

**ENCODER CONNECTION TABLE**

PIN	LEAD COLOR	SIGNAL
1	RED	+5V
2	BLACK	GROUND
3	BROWN	U+
4	BROWN/BLACK	U-
5	GRAY	V+
6	GRAY/BLACK	V-
7	WHITE	W+
8	WHITE/BLACK	W-
9	BLUE/BLACK	A+
10	BLUE	A-
11	GREEN	B+
12	GREEN/BLACK	B-
13	YELLOW	Z+
14	YELLOW/BLACK	Z-
15	SHIELD	SHIELD

**MOTOR CONNECTION TABLE**

PIN	LEAD COLOR	SIGNAL
1	RED	PHASE U
2	YELLOW	PHASE V
3	BLUE	PHASE W
4	YELLOW/GREEN	GROUND



R 1.5  
4PLCS

NOTES: UNLESS OTHERWISE SPECIFIED

1. A SHAFT SEAL IS SHIPPED WITH MOTOR, BUT NOT INSTALLED.
2. TIMING LOGIC IS CCW AS VIEWED FROM FRONT SHAFT.
3. MOTOR IS IP65, EXCEPT SHAFT OPENING AND CABLE CONNECTOR.
4. INSTALL INDOORS, AWAY FROM DIRECT SUNLIGHT AND FLAMMABLE GASES.
5. 1000M MAX ALTITUDE.

TOLERANCES	THIRD ANGLE PROJECTION
DECIMALS: MM (INCH) X.XXX = ±0.013 (.005) X.XX = ±0.25 (.01) X.X = ±2.5 (0.1)	
ANGLES: MACH. = ±5° CHAM. = ±5°	APPROVALS
COMPUTER DATA BASE DRAWING	DATE
	DRAWN R.JONEZ
	CHECKED
	APPROVED
	5/19/14

**APPLIED MOTION PRODUCTS, INC.**

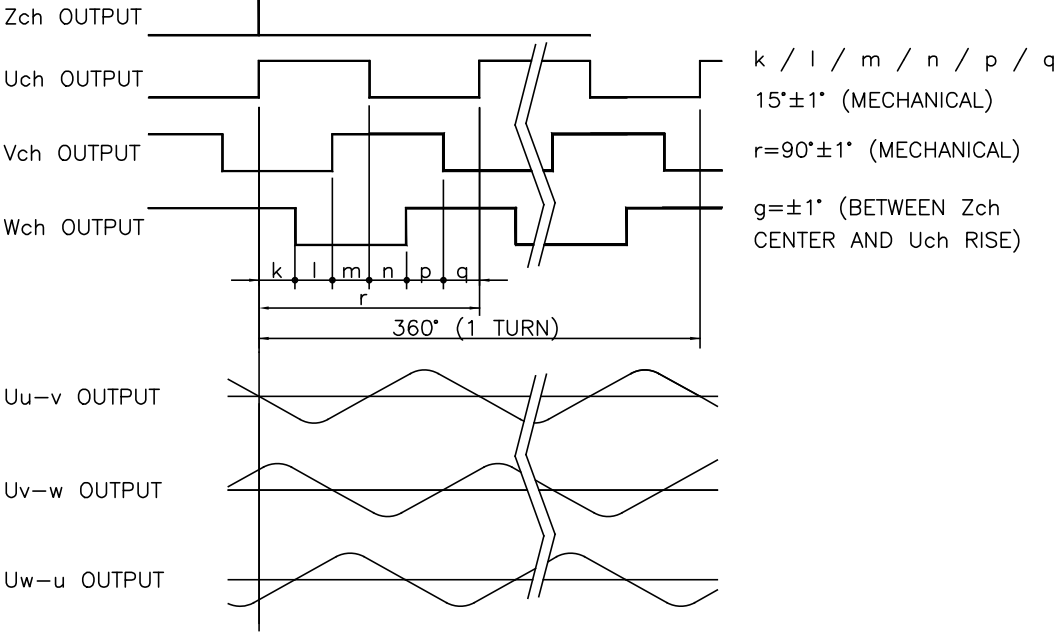
**AC SERVO MOTOR**

DWG NO. **J0100-303-3-000** REV **G**

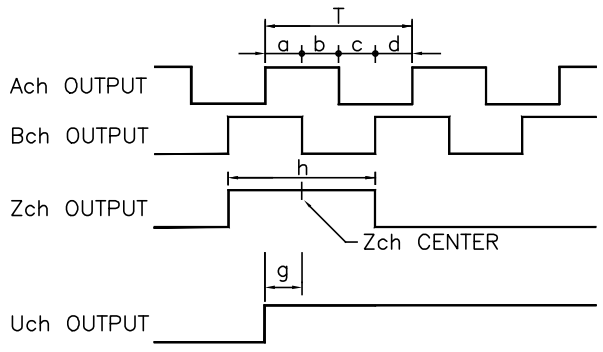
SCALE: NONE SHEET 1 OF 2

AC SERVO MOTOR SPECIFICATION – PERMANENT MAGNET 8 POLES		
INPUT POWER SUPPLY	VDC	24–80
RATED OUTPUT	W	100
VOLTAGE CONSTANT	V(rms)/K(rpm)±10%	3.8
RATED WINDING CURRENT	A (rms)	5.2
PEAK WINDING CURRENT	A (rms)	15.6
WINDING RESISTANCE	V ±10%@20°C	0.48 LINE-TO-LINE
WINDING INDUCTANCE	mH ±20%	0.58 LINE-TO-LINE
RATED TORQUE	Nm(kgf-cm)	0.32(3.26)
PEAK TORQUE	Nm(kgf-cm)	0.91(9.28)
TORQUE CONSTANT	Nm/A(rms)±10%	0.061
RATED SPEED	rpm/min	3000
MAXIMUM SPEED	rpm/min	6000
WEIGHT WITH STD ENCODER	KG (LBS)	0.55 (1.2)
INSULATION CLASS		B 130°C
ENCODER RESOLUTION		2500 LINES/REV.
SHAFT LOAD – AXIAL	N(MAX)	50 N/11LB
SHAFT LOAD – RADIAL	N(MAX)	60 N/13.5LB
MOTOR RATING	REF NOTE 3	IP65
AMBIENT TEMPERATURE	OPERATING	0 TO 40C°
AMBIENT TEMPERATURE	STORAGE	-20 TO 80C°
AMBIENT HUMIDITY MAX		85%
INERTIA – WITH ENCODER	kg m <sup>2</sup>	0.00000428

**TIMING LOGIC / ENCODER SIGNALS**  
(NOT TO SAME SCALE AS OTHER DETAIL)



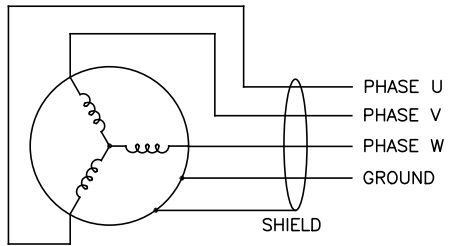
**TIMING LOGIC / ENCODER SIGNALS**




$$T = \frac{360 \text{ DEGREES}}{2500C/T}$$

$$a, b, c, d = T/4 \pm T/8$$

$$h = T \pm T/2$$



CONTRACT NO.		 <b>APPLIED MOTION PRODUCTS, INC.</b>			
APPROVALS	DATE				
DRAWN <i>R. JONEZ</i>	<i>5/19/14</i>	<b>SERVO MOTOR SPECIFICATIONS</b>			
CHECKED					
APPROVED		B	FSCM NO.	DWG NO.	REV
APPROVED				J0100-303-3-000	G
SCALE: NONE		SHEET 2 OF 2			