

SPECIFICATIONS:	
STEPS PER REVOLUTION: 200	ROTOR INERTIA: 900 G-CM <sup>2</sup> (4.91 OZ-IN <sup>2</sup> ) REF
STEP ANGLE: 1.8°	HOLDING TORQUE: 3.1 N-m (439 OZ-IN) MIN <b>1</b>
STEP TO STEP ACCURACY: ±5 % <b>1</b> , <b>2</b>	
POSITIONAL ACCURACY: ±5 % <b>1</b> , <b>3</b>	INSULATION CLASS: B
HYSTERESIS: - %	BEARINGS: ABEC 3, DOUBLE SHIELDED
WINDING RESISTANCE: 0.95 OHM ±10% AT 25° <b>7</b>	WEIGHT: 1400 G (3 LBS) APPROXIMATE
WINDING INDUCTANCE: 1.9 mH ± 20% <b>8</b>	TEMP. RISE: 80°C MAX. <b>8</b>
PHASE CURRENT: 4.0 AMP (RATED)	OPERATING TEMP. RANGE: -20 TO +50 °C
NUMBER OF PHASES: 2	STORAGE TEMP. RANGE: -30 TO +70 °C
SHAFT RUNOUT: 0.03 T.I.R.	RELATIVE HUMIDITY RANGE: 15 TO 99 %
RADIAL PLAY: 0.02 MAX WITH .5KG RADIAL LOAD.	
END PLAY: 0.08KG MAX WITH .5KG AXIAL LOAD.	

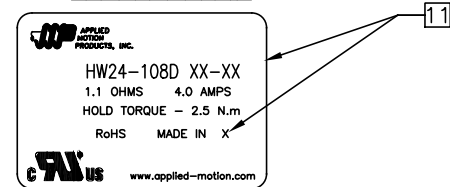
HW24-108D

REVISIONS				
ECO NO.	REV	DESCRIPTION	DATE	APPROVED
6455	A	INITIAL RELEASE	4/12/12	J Kordik
6565	B	MFGR SPEC CHANGES	7/19/12	
6578	C	SPEC CHANGE	9/19/12	J Kordik
6723	D	ADD NOTE 13	3/22/13	J Kordik
8317	E	SPEC CHANGES, ADD UL	9/3/19	J Kordik

NOTES, UNLESS OTHERWISE SPECIFIED:

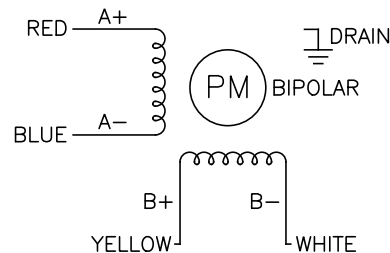
- 1** MEASUREMENTS MADE AT RATED CURRENT IN EACH PHASE.
- 2** BETWEEN ANY TWO ADJACENT STEP POSITIONS.
- 3** MAXIMUM ERROR IN 360°.
4. HIPOT 500 VAC, 60 Hz FOR ONE MINUTE.
- 5** CABLE, SHIELDED, 3048MM (10FEET MIN), 4 CONDUCTORS AND DRAIN, AWG 22, UL 2517, 7 STRAND MINIMUM, 105°C INSULATION. DRAIN WIRE TO BE CONNECTED TO INSIDE OF REAR ENDBELL.
6. INSULATION RESISTANCE: 100 MEGOHMS MIN AT 500 VDC.
- 7** AS MEASURED USING AN A.C. INDUCTANCE BRIDGE, AT 1KHz.
- 8** AS MEASURED BY THE CHANGE IN RESISTANCE METHOD, WITH RATED VOLTAGE APPLIED TO 2 PHASES; WITH MOTOR AT REST.
9. MOTOR TO MEET IP65 STANDARDS. CABLE GLAND TO BE NICKEL-PLATED BRASS, ASI P/N 3012215 OR EQUIVALENT.
10. THIS MOTOR TO BE MANUFACTURED IN COMPLIANCE WITH CURRENT EU RoHS DIRECTIVE.
- 11** MOTOR LABEL TO INCLUDE "ROHS" COMPLIANT, 'MADE IN (COUNTRY OF ORIGIN)' AND DATE CODE.
- 12** NO IP65 SEAL REQUIRED FOR REAR BEARING OR TAPPED HOLES.
13. END BELLS TO BE PROTECTED WITH BLACK COATING.

LABEL DETAIL

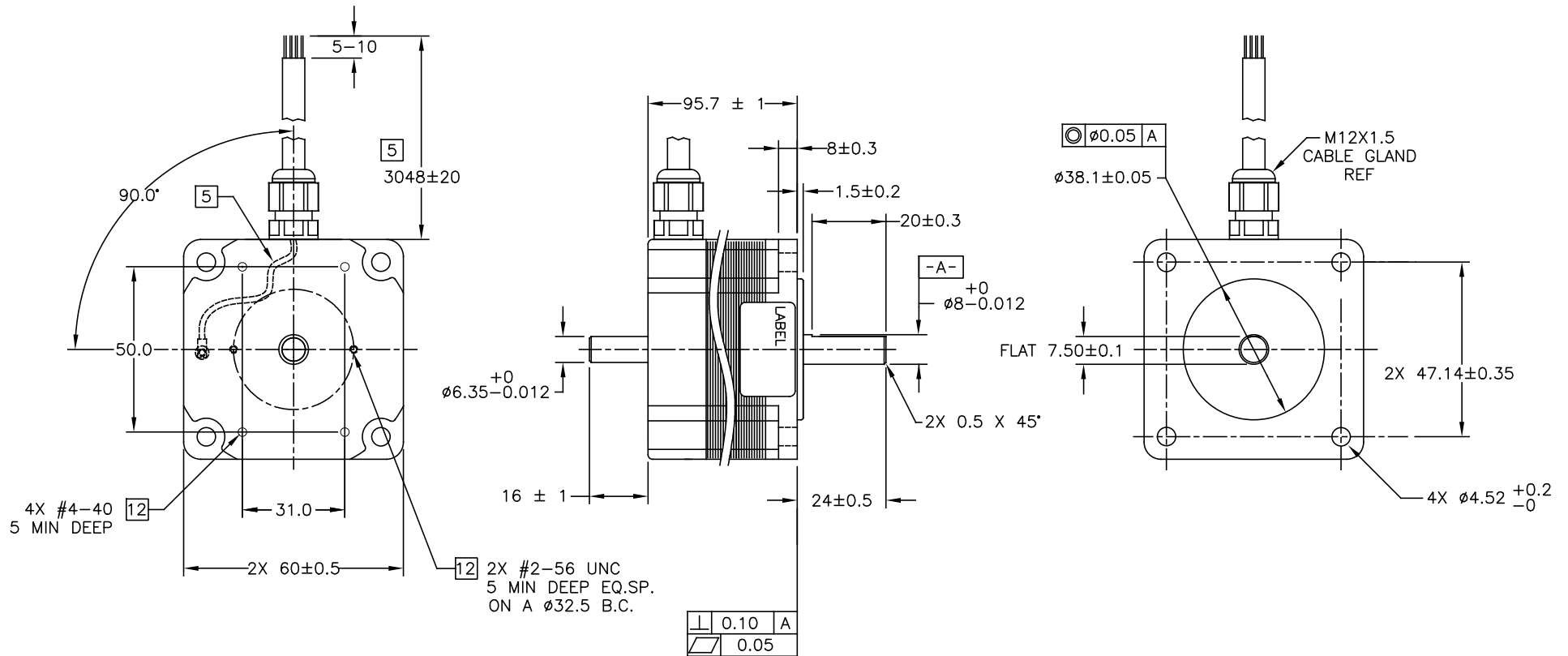


SWITCHING SEQUENCE FOR CW ROTATION  
FACING MOUNTING END

STEP	A+	B+	A-	B-
1	+	+	-	-
2	-	+	+	-
3	-	-	+	+
4	+	-	-	+



CONTRACT NO. -		APPLIED MOTION PRODUCTS, INC.		
APPROVALS	DATE	<b>STEP MOTOR OUTLINE</b>		
DRAWN <i>R. JONEZ</i>	4/12/12			
CHECKED		<b>B</b>	COMPUTER DATA BASE DRAWING	DWG NO. <b>HW24-108D</b>
APPROVED			REV <b>E</b>	
APPROVED		SCALE: NONE	SHEET 1 OF 2	



TOLERANCES		THIRD ANGLE PROJECTION		APPLIED MOTION PRODUCTS, INC.	
DECIMALS: MM (INCH) X.XXX = ± (.005) X.XX = ±0.13 (.010) X.X = ±0.25 (.020) ANGLES: MACH. = ± 5° CHAM. = ± 5°				<b>STEP MOTOR OUTLINE</b>	
COMPUTER DATA BASE DRAWING		APPROVALS DRAWN <i>R. JONEZ</i> CHECKED	DATE 4/5/12		
		APPROVED		SCALE: NONE	SHEET 2 OF 2