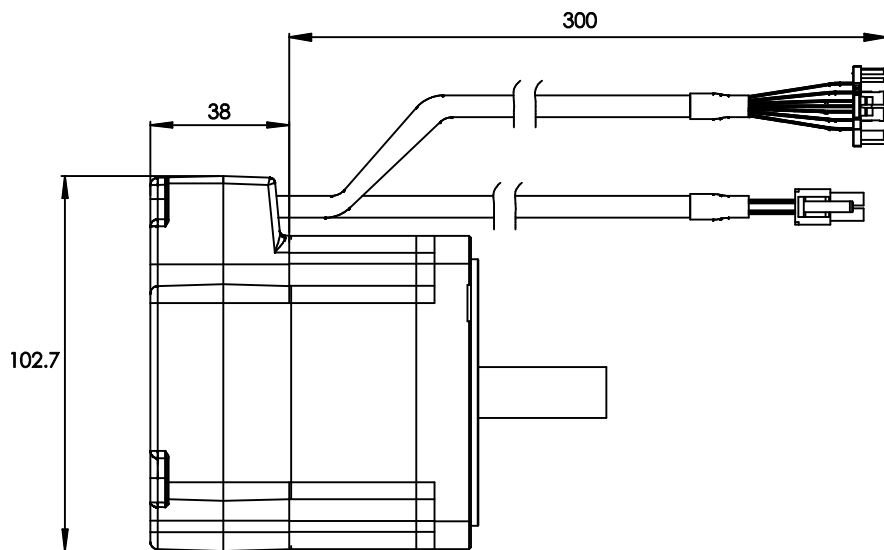
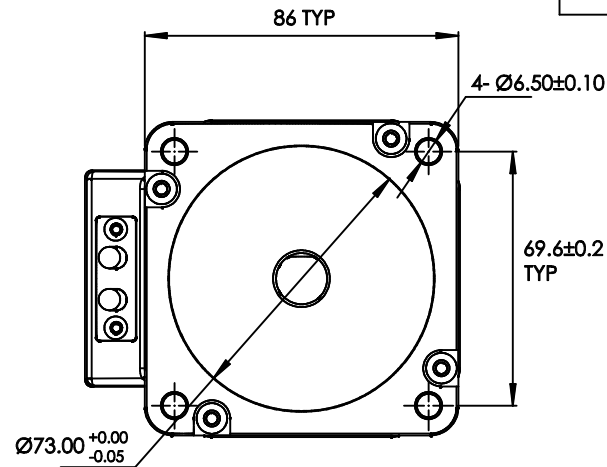
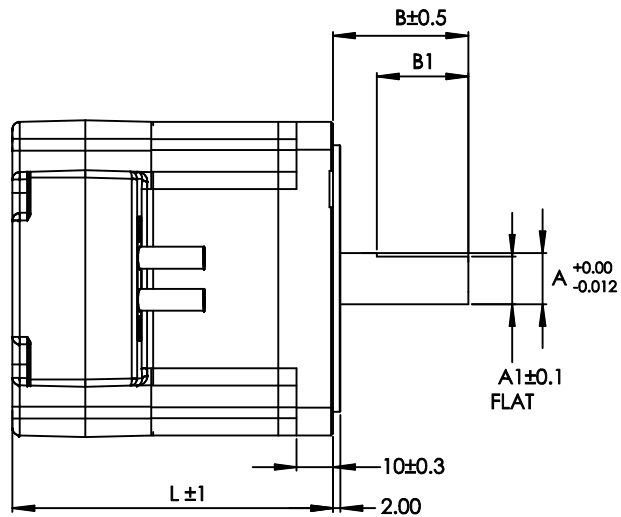


REVISIONS				
ECD NO.	REV	DESCRIPTION	DATE	APPROVED
7494	A	INITIAL RELEASE	11/11/16	J.KORDIK



Unit:mm	A	A1	B	B1	L
HT34-SS1DGA	$\varnothing 14$	13	37	25	88
HT34-SS3DGA	$\varnothing 14$	13	37	25	117.5
HT34-SS5DGA	$\varnothing 14$	13	37	25	147

HT34-SSxDGx

TOLERANCES		THIRD ANGLE PROJECTION		APPLIED MOTION PRODUCTS, INC.	
DECIMALS: MM (INCH) X.XXX = ± 0.013 (.005) X.XX = ± 0.25 (.01) X.X = ± 2.5 (0.1)					
ANGLES: MACH. = $\pm 5^\circ$ CHAM. = $\pm 5^\circ$		APPROVALS	DATE	STEP-SERVO MOTOR	
COMPUTER DATA		DRAWN	CHECKED	B	DWG NO. HT34-SSxDGx
BASE DRAWING		APPROVED		REV	A
				SCALE: NONE	SHEET 1 OF 1