

SPECIFICATIONS:	
STEPS PER REVOLUTION: 200	ROTOR INERTIA: 2.7KG-CM ² (0.0387 OZ-IN-SEC ²)NOM
STEP ANGLE: 1.8°	DETENT TORQUE: 3.56 G-CM (49.5 OZ-IN) MIN
STEP TO STEP ACCURACY: ±.09 DEGREES 1 , 2	INSULATION CLASS: B
POSITIONAL ACCURACY: ±.09 DEGREES 1 , 3	WEIGHT: 3.8 KG (8.4 LBS)
SHAFT RUNOUT: 0.05mm T.I.R. MAX	TEMP. RISE: 80 °C MAX. 9
RADIAL PLAY: 0.025mm MAX W/A .5KG RADIAL LOAD	OPERATING TEMP. RANGE: -20 TO +50 °C
END PLAY: 0.075mm MAX W/A 1KG AXIAL LOAD	STORAGE TEMP. RANGE: -40 TO +70 °C
BEARINGS: ABEC 3, DOUBLE SHIELDED	RELATIVE HUMIDITY RANGE: 5 TO 99 %

HT34-506DC-YAC

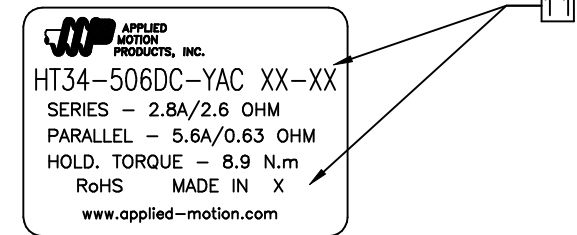
REVISIONS				
ECO NO.	REV	DESCRIPTION	DATE	APPROVED
6860	A	INITIAL RELEASE	10/16/13	J KORDIK

SPECIFICATION CONNECTION	7	8	1	1	
	RESISTANCE PER PHASE OHM ±10%	INDUCTANCE PER PHASE mH ±20%	RATED CURRENT Amp	HOLDING TORQUE Nm Min	HOLDING TORQUE oz-in Min.
BI-POLAR SERIES	2.6	21.6	2.8	8.9	1260
BI-POLAR PARALLEL	0.63	5.4	5.6	8.9	1260
UNI-POLAR	1.29	5.4	4.0	6.4	906

NOTES, UNLESS OTHERWISE SPECIFIED:

- 1 MEASUREMENTS MADE AT RATED CURRENT IN EACH PHASE.
- 2 BETWEEN ANY TWO ADJACENT FULL STEP POSITIONS.
- 3 MAXIMUM ERROR IN 360°.
4. HIPOT 1150 VAC, 60 Hz FOR ONE MINUTE.
- 5 LEADS: 8, 22AWG, 7 STRAND MIN., UL AND CSA APPROVED, 105°C. SHIELDED CABLE, 8 CONDUCTOR W/DRAIN. CABLE 666-2126. DRAIN WIRE TO BE CONNECTED TO INSIDE OF REAR ENDBELL.
6. INSULATION RESISTANCE: 100 MEGOHMS MIN AT 500 VDC.
- 7 MEASUREMENTS MADE WITH CABLE.
- 8 MEASURED USING AN A.C. INDUCTANCE BRIDGE, AT 1KHz, WITH CABLE.
- 9 AS MEASURED BY THE CHANGE IN RESISTANCE METHOD, WITH RATED CURRENT APPLIED TO 2 PHASES; WITH MOTOR AT REST.
10. THIS MOTOR TO BE MANUFACTURED IN COMPLIANCE WITH EU DIRECTIVE "ROHS 2002/95/EC".
- 11 MOTOR LABEL TO INCLUDE "ROHS" COMPLIANT, 'MADE IN (COUNTRY OF ORIGIN)' AND DATE CODE.
12. HIGH TORQUE MOTOR DESIGN, MICROSTEP LAMINATION, INTENDED FOR USE WITH 80VDC DRIVES WHEN WINDINGS CONNECTED IN PARALLEL AND WITH 160VDC DRIVES WHEN WINDINGS CONNECTED IN SERIES.
- 13 ENCODER CABLE 3004-195-10 TO BE INCLUDED WITH MOTOR.
PLEASE REFER TO CABLE DRAWING, AVAILABLE ON WEBSITE, FOR FULL DETAILS.
ENCODER VOLTAGE: +5V ±5%, ENCODER CURRENT: 160ma.
- 14 ENCODER P/N 970-1005.
15. ASSEMBLE PER AMP SPEC 960-0084.

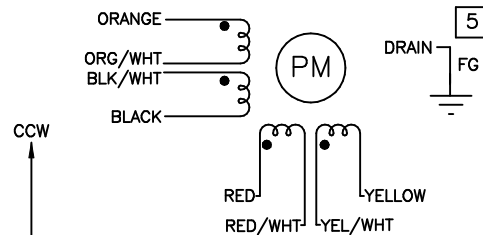
LABEL DETAIL



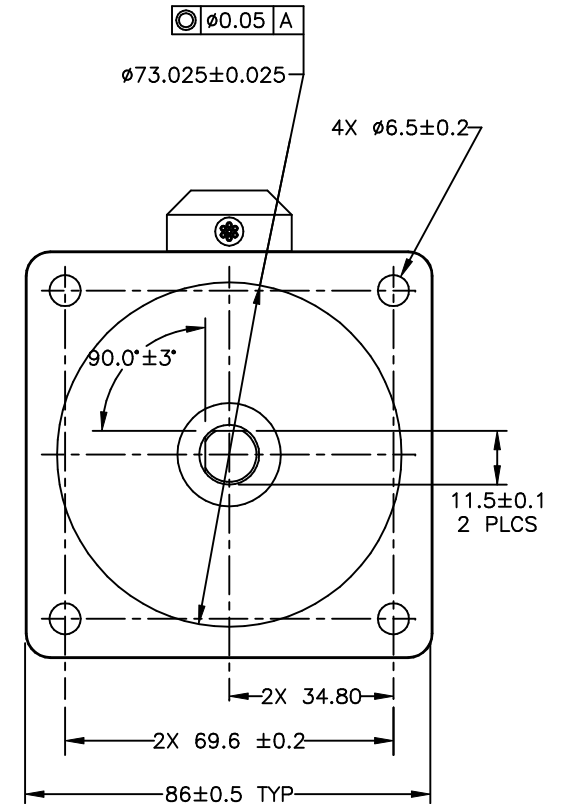
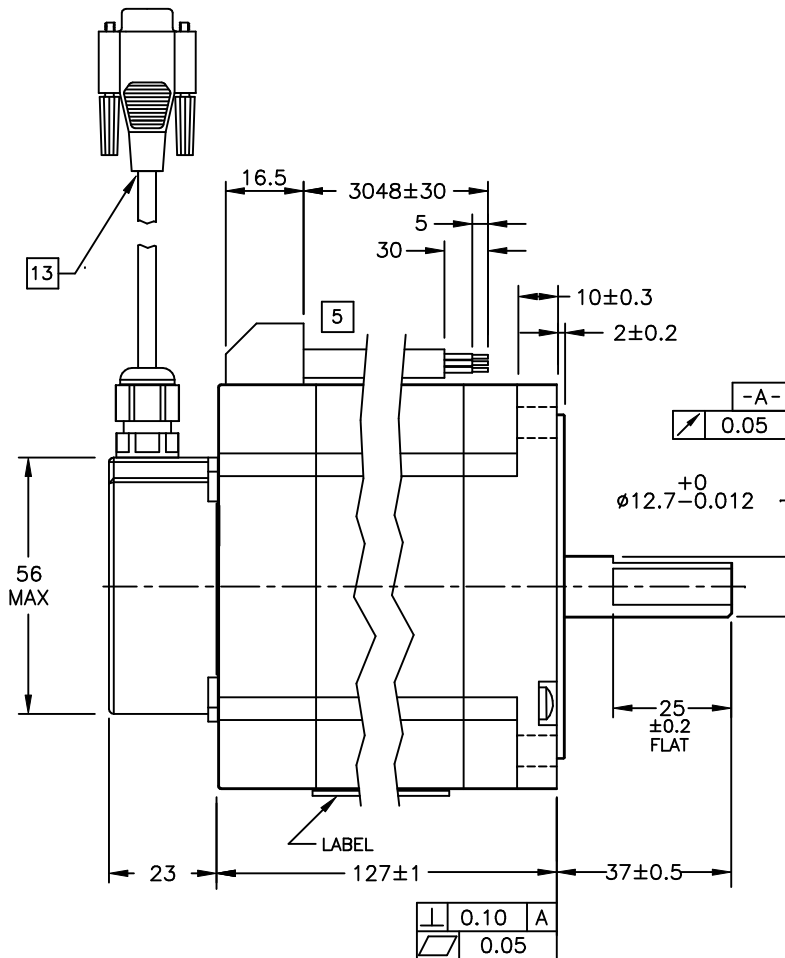
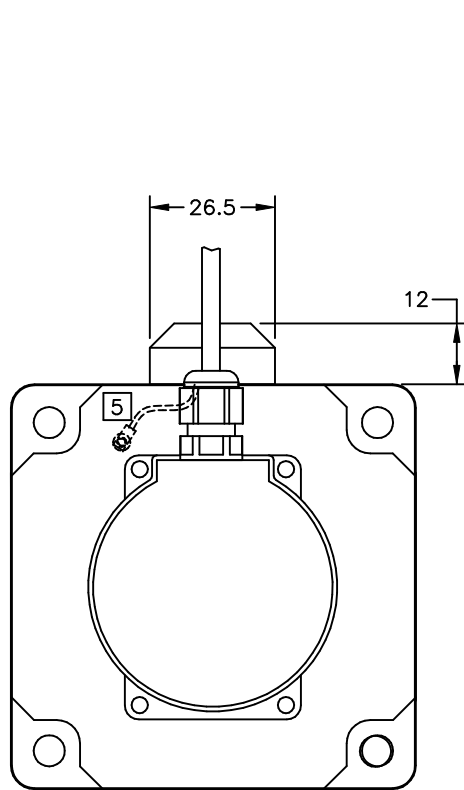
BIPOLAR, FULL STEP, 2 PHASE ON PARALLEL CONNECTED

SWITCHING SEQUENCE FOR CW ROTATION FACING MOUNTING END

STEP	ORANGE & BLK/WHT	BLACK & ORN/WHT	RED & YEL/WHT	YELLOW & RED/WHT
0	+	-	+	-
1	-	+	+	-
2	-	+	-	+
3	+	-	-	+
4	+	-	+	-

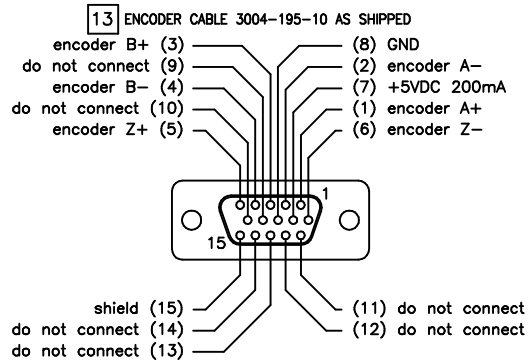


CONTRACT NO. -		APPLIED MOTION PRODUCTS, INC.	
APPROVALS		DATE	
DRAWN <i>R.JONEZ</i>		10/10/13	
CHECKED		STEP MOTOR OUTLINE	
APPROVED			
APPROVED		B	COMPUTER DATA BASE DRAWING
APPROVED		DWG NO. HT34-506DC-YAC	REV A
SCALE: NONE		SHEET 1 OF 2	



CONNECTION TABLE		CONN (REF)
LEAD COLOR	SIGNAL	PIN
BLUE	CH A	1
BLUE/WHITE	CH A-	2
YELLOW	CH B	3
YELL/WHITE	CH B-	4
ORANGE	INDEX	5
ORN/WHITE	INDEX-	6
-	N/A	9
-	N/A	10
-	N/A	13
-	N/A	14
-	N/A	11
-	N/A	12
RED	+Vcc	7
BLK	GND	8
DRAIN	SHIELD	15

13 14



TOLERANCES	THIRD ANGLE PROJECTION		APPLIED MOTION PRODUCTS, INC.	
DECIMALS: MM (INCH) X.XXX = ± (.005) X.XX = ±0.13 (.010) X.X = ±0.25 (.020) ANGLES: MACH. = ±.5° CHAM. = ±5°			STEP MOTOR OUTLINE	
COMPUTER DATA BASE DRAWING	APPROVALS DRAWN <i>R. JONEZ</i> CHECKED	DATE 10/10/13		
SCALE: NONE		SHEET 2 OF 2		