

SPECIFICATIONS:

STEPS PER REVOLUTION: 200	ROTOR INERTIA: 450 G-CM ² (2.45 OZ-IN ²) REF
STEP ANGLE: 1.8°	HOLDING TORQUE: 1.25N-m (177 OZ-IN) MIN [1]
STEP TO STEP ACCURACY: ±5 % [1], [2]	DETENT TORQUE: 90 mN-m (12.7 OZ-IN) MIN
POSITIONAL ACCURACY: ±5 % [1], [3]	
HYSTERESIS: - %	INSULATION CLASS: B
WINDING RESISTANCE: 0.43 OHM ±10% AT 20° [12]	BEARINGS: ABEC 3, DOUBLE SHIELDED
WINDING INDUCTANCE: 1.1 mH ± 20% [7]	WEIGHT: 830 G (29 OZ) APPROXIMATE
PHASE VOLTAGE: 1.72 VDC	TEMP. RISE: 80°C MAX. [8]
PHASE CURRENT: 4.0 AMP (RATED)	OPERATING TEMP. RANGE: -20 TO +50 °C
NUMBER OF PHASES: 2	STORAGE TEMP. RANGE: -30 TO +70 °C
SHAFT RUNOUT: 0.03 T.I.R.	RELATIVE HUMIDITY RANGE: 15 TO 85 %
RADIAL PLAY: 0.02mm MAX WITH .5KG RADIAL LOAD.	
END PLAY: 0.08mm MAX WITH .5KG AXIAL LOAD.	

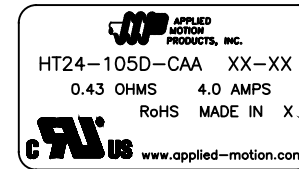
HT24-105D-CAA

REVISIONS

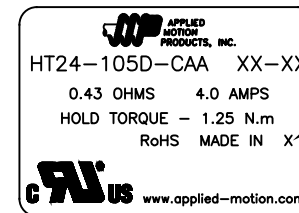
ECO NO.	REV	DESCRIPTION	DATE	APPROVED
7710	A	INITIAL RELEASE	9/27/17	J KORDIK
7877	B	DIMENSION MISSING	3/8/18	J KORDIK

NOTES, UNLESS OTHERWISE SPECIFIED:

- [1] MEASUREMENTS MADE AT RATED CURRENT IN EACH PHASE.
- [2] BETWEEN ANY TWO ADJACENT STEP POSITIONS.
- [3] MAXIMUM ERROR IN 360°.
- 4. HIPOT 500 VAC, 60 Hz FOR ONE MINUTE.
- [5] LEADS: 4, 22 AWG, 7 STRAND MIN., UL AND CSA APPROVED, UL 1430 OR UL 1007.
- 6. INSULATION RESISTANCE: 100 MEGAOHMS MIN AT 500 VDC.
- [7] AS MEASURED USING AN A.C. INDUCTANCE BRIDGE, AT 1KHz.
- [8] AS MEASURED BY THE CHANGE IN RESISTANCE METHOD, WITH RATED VOLTAGE APPLIED TO 2 PHASES; WITH MOTOR AT REST.
- [9] ENCODER 970-1024 INSTALLED PER AMP ASSEMBLY PRACTICES. ENCODER CABLE SOLD SEPARATELY.
- 10. THIS MOTOR IS MANUFACTURED IN COMPLIANCE WITH THE CURRENT EU RoHS DIRECTIVE.
- [11] MOTOR LABEL TO INCLUDE "ROHS" COMPLIANT, 'MADE IN (COUNTRY OF ORIGIN)' AND DATE CODE.
- [12] AS MEASURED ACROSS ANY WINDING.
- 13. OTHER TAPPED HOLES MAY BE PRESENT ON REAR OF MOTOR.



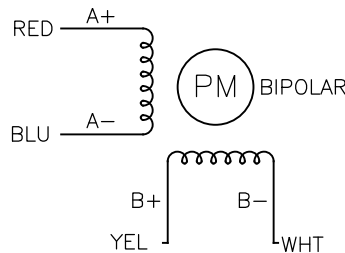
LABEL DETAIL
BOTH OPTIONS ACCEPTABLE



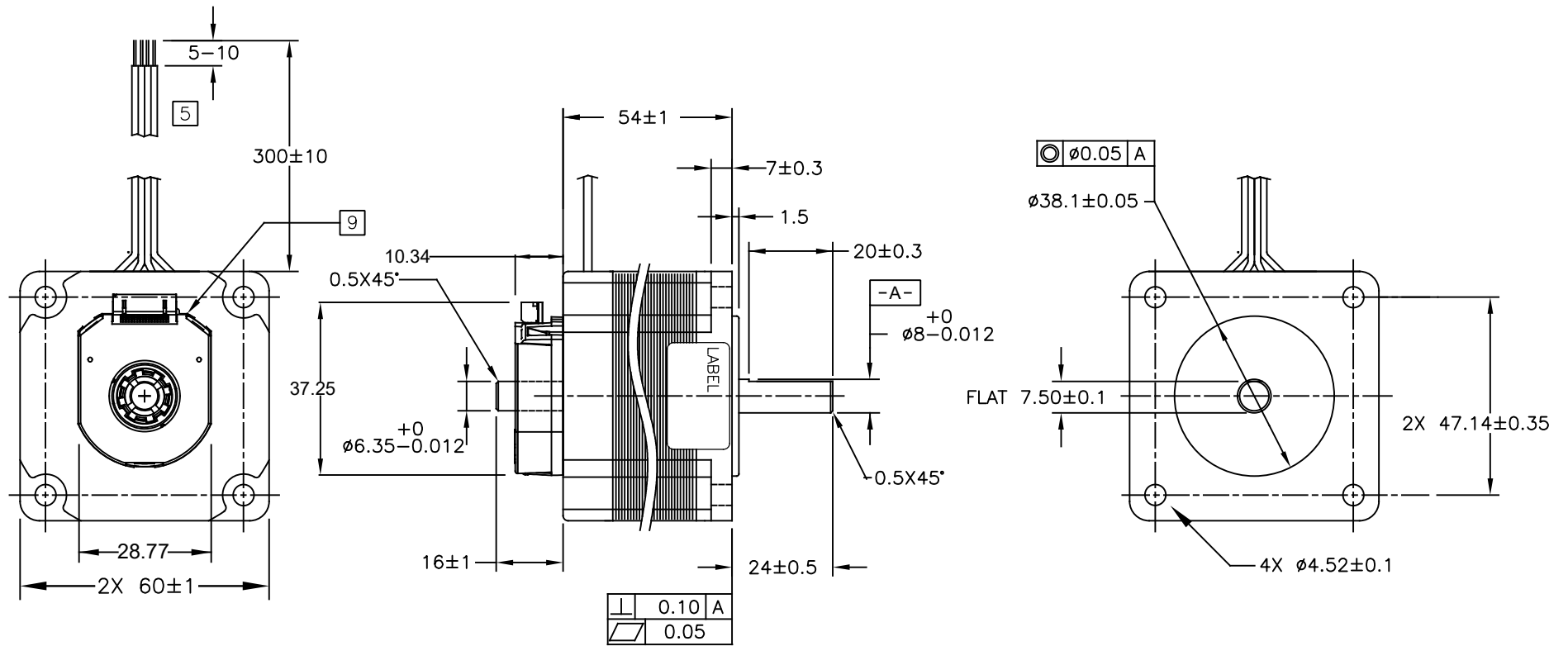
[1]

**SWITCHING SEQUENCE FOR CW ROTATION
FACING MOUNTING END**

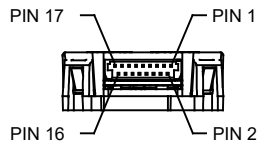
STEP	A+	B+	A-	B-
1	+	+	-	-
2	-	+	+	-
3	-	-	+	+
4	+	-	-	+



CONTRACT NO.		APPLIED MOTION PRODUCTS, INC.			
APPROVALS	DATE	STEP MOTOR OUTLINE			
DRAWN <i>N.DEY</i>	9/13/17				
CHECKED <i>K.KESLER</i>	9/22/17				
APPROVED					
APPROVED		B	COMPUTER DATA BASE DRAWING	DWG NO. HT24-105D-CAA	REV B
SCALE: 7:10		SHEET 1 OF 2			



CONNECTOR	
PIN NO:	SIGNAL
1	TX_ENC+
2	RX_ENC+
3	N/A
4	GND
5	N/A
6	+5 V
7	N/A
8	B+
9	B-
10	A+
11	A-
12	Z+
13	Z-
14	MCLR B
15	N/A
16	N/A
17	N/A



TOLERANCES		THIRD ANGLE PROJECTION		APPROVALS		DATE	
DECIMALS: MM X.XXX = ± 0.013 X.XX = ± 0.25 X.X = ± 2.5 ANGLES: MACH. = $\pm 5^\circ$ CHAM. = $\pm 5^\circ$				APPROVALS DRAWN: N.DEY CHECKED: K.KESLER APPROVED:		DATE 9/13/17 9/22/17	
COMPUTER DATA BASE DRAWING				SCALE: 7:10		SHEET 2 OF 2	



STEP MOTOR OUTLINE

B	DWG NO. HT24-105D-CAA	REV B
---	--------------------------	----------