

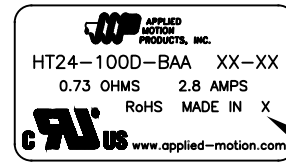
SPECIFICATIONS:	
STEPS PER REVOLUTION: 200	ROTOR INERTIA: 260 G-CM ² (1.42 OZ-IN ²) REF
STEP ANGLE: 1.8°	HOLDING TORQUE: 0.87 N-m (123.2 OZ-IN) MIN 1
STEP TO STEP ACCURACY: ±5 %	DETENT TORQUE: 40 mN-m (5.66 OZ-IN) MIN
POSITIONAL ACCURACY: ±5 %	
HYSTERESIS: - %	INSULATION CLASS: B
WINDING RESISTANCE: 0.73 OHM ±15% AT 20° 12	BEARINGS: ABEC 3, DOUBLE SHIELDED
WINDING INDUCTANCE: 1.6 mH ± 20% 7	WEIGHT: 600 G (21 OZ) APPROXIMATE
PHASE VOLTAGE: 2.0 VDC	TEMP. RISE: 80°C MAX. 8
PHASE CURRENT: 2.8 AMP (RATED)	OPERATING TEMP. RANGE: -20 TO +50 °C
NUMBER OF PHASES: 2	STORAGE TEMP. RANGE: -30 TO +70 °C
SHAFT RUNOUT: 0.03 T.I.R.	RELATIVE HUMIDITY RANGE: 15 TO 85 %
RADIAL PLAY: 0.02mm MAX WITH .5KG RADIAL LOAD.	
END PLAY: 0.08mm MAX WITH .5KG AXIAL LOAD.	

HT24-100D-BAA

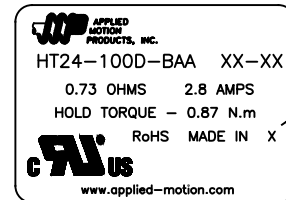
REVISIONS				
ECO NO.	REV	DESCRIPTION	DATE	APPROVED
7747	A	INITIAL RELEASE	12/20/17	J.KORDIK

NOTES, UNLESS OTHERWISE SPECIFIED:

- 1 MEASUREMENTS MADE AT RATED CURRENT IN EACH PHASE.
- 2 BETWEEN ANY TWO ADJACENT STEP POSITIONS.
- 3 MAXIMUM ERROR IN 360°.
- 4. HIPOT 500 VAC, 60 Hz FOR ONE MINUTE.
- 5 LEADS: 4, 22 AWG, 7 STRAND MIN., UL AND CSA APPROVED, UL 1430 OR UL 1007.
- 6. INSULATION RESISTANCE: 100 MEGAOHMS MIN AT 500 VDC.
- 7 AS MEASURED USING AN A.C. INDUCTANCE BRIDGE, AT 1KHz.
- 8 AS MEASURED BY THE CHANGE IN RESISTANCE METHOD, WITH RATED VOLTAGE APPLIED TO 2 PHASES; WITH MOTOR AT REST.
- 9 ENCODER 970-1028 INSTALLED PER AMP ASSEMBLY PRACTICES. ENCODER CABLE SOLD SEPARATELY.
- 10. THIS MOTOR IS MANUFACTURED IN COMPLIANCE WITH THE CURRENT EU RoHS DIRECTIVE.
- 11 MOTOR LABEL TO INCLUDE "ROHS" COMPLIANT, 'MADE IN (COUNTRY OF ORIGIN)' AND DATE CODE.
- 12 AS MEASURED ACROSS ANY WINDING.
- 13. OTHER TAPPED HOLES MAY BE PRESENT ON REAR OF MOTOR.



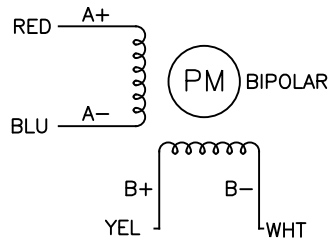
LABEL DETAIL
BOTH OPTIONS ACCEPTABLE



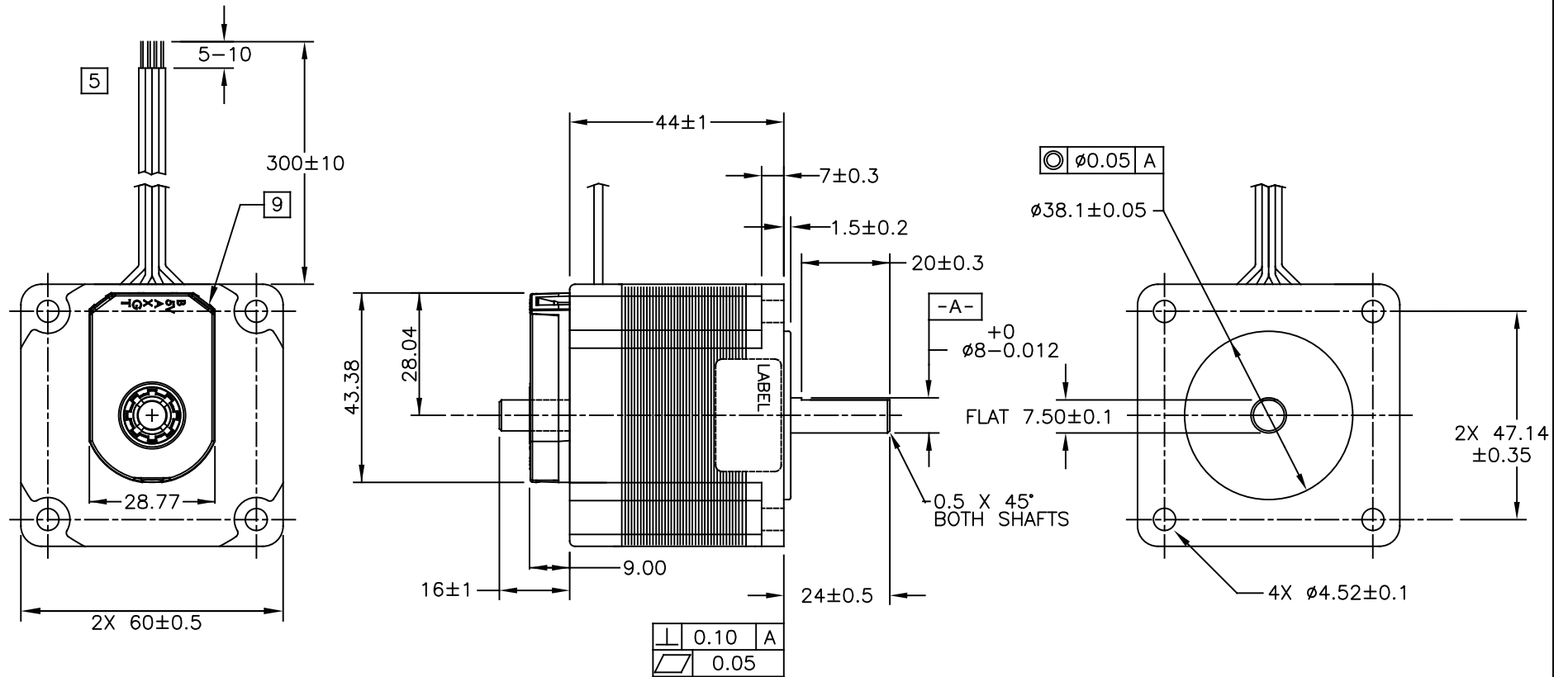
11

SWITCHING SEQUENCE FOR CW ROTATION
FACING MOUNTING END

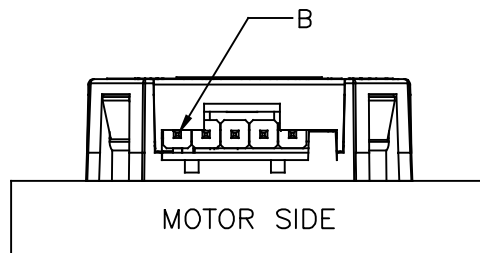
STEP	A+	B+	A-	B-
1	+	+	-	-
2	-	+	+	-
3	-	-	+	+
4	+	-	-	+



CONTRACT NO.		APPLIED MOTION PRODUCTS, INC.			
APPROVALS	DATE	<h2>STEP MOTOR OUTLINE</h2>			
DRAWN <i>N.DEY</i>	10/26/17				
CHECKED <i>K.KESLER</i>	12/20/17				
APPROVED <i>J.KORDIK</i>	12/20/17				
APPROVED		B	COMPUTER DATA BASE DRAWING	DWG NO. HT24-100D-BAA	REV A
SCALE: NONE		SHEET 1 OF 2			



CONNECTOR	
PIN NO:	SIGNAL
B	B CHANNEL
5V	+5 V
A	A CHANNEL
X	INDEX CHANNEL
G	GND
T	UNUSED



TOLERANCES	THIRD ANGLE PROJECTION	APPLIED MOTION PRODUCTS, INC.	
DECIMALS: MM X.XXX = ±0.013 X.XX = ±0.25 X.X = ±2.5 ANGLES: MACH. = ±5° CHAM. = ±5°		STEP MOTOR OUTLINE	
COMPUTER DATA BASE DRAWING	APPROVALS		
	DRAWN <i>N.DEY</i>	10/26/17	B DWG. NO. HT24-100D-BAA REV A
	CHECKED <i>K.KESLER</i>	12/20/17	
	APPROVED <i>J.KORDIK</i>	12/20/17	SCALE: 7:10 SHEET 2 OF 2