

SPECIFICATIONS:

STEPS PER REVOLUTION: 200	ROTOR INERTIA: 460 G-CM ² (6.51E-03 oz-in-sec ²)NOM	
STEP ANGLE: 1.8°	DETENT TORQUE: 0.070 N-m (9.91 oz-in) MIN	
STEP TO STEP ACCURACY: ±0.09 DEGREES	[1]	[2]
RADIAL PLAY: 0.02 mm MAX W/5KG RADIAL LOAD	INSULATION CLASS: B	
END PLAY: 0.08 MAX W/1.0 KG AXIAL LOAD	WEIGHT: 1.0 KG (2.2 LB)	
SHAFT RUNOUT: 0.05 T.I.R.	OPERATING TEMP. RANGE: -20 TO +50 °C	
TEMP. RISE: 80 °C MAX.	[8]	RELATIVE HUMIDITY RANGE: 15 TO 99 %

HT23-601DC-ZAC

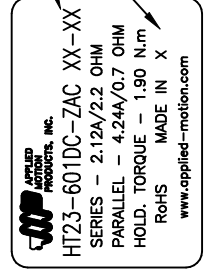
REVISIONS				
ECC NO.	REV	DESCRIPTION	DATE	APPROVED
6860	A	INITIAL RELEASE	10/16/13	J KORDIK

SPECIFICATION	RESISTANCE PER PHASE OHM ±10%	INDUCTANCE PER PHASE mH ±20%	RATED CURRENT Amp	HOLDING TORQUE N-m Min	HOLDING TORQUE oz-in Min
BI-POLAR SERIES	2.2	6.8	2.12	1.90	269
BI-POLAR PARALLEL	0.7	1.7	4.24	1.90	269
UNI-POLAR	1.1	1.7	3.00	1.35	191

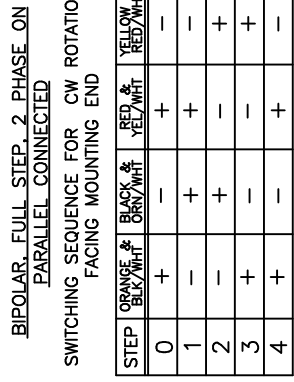
NOTES, UNLESS OTHERWISE SPECIFIED:

- MEASUREMENTS MADE AT RATED CURRENT IN BOTH PHASES.
- BETWEEN ANY TWO ADJACENT FULL STEP POSITIONS.
- MEASUREMENTS MADE AT LEAD ENDS.
- HIPOT 500 VAC, 60 Hz FOR ONE MINUTE.
- LEADS: 8, 22 AWG, 7 STRAND MIN., UL AND CSA APPROVED, 105°C RATED SHIELDED CABLE 666-2126, 8 COND W/DRAIN. DRAIN WIRE TO BE CONNECTED TO INSIDE OF REAR ENDBELL.
- INSULATION RESISTANCE: 100 MEGOHMS MIN AT 500 VDC.
- MEASURED USING AN A.C. INDUCTANCE BRIDGE, AT 1KHz AT LEAD ENDS.
- AS MEASURED BY THE CHANGE IN RESISTANCE METHOD, WITH RATED CURRENT APPLIED TO 2 PHASES; WITH MOTOR AT REST.
- HIGH TORQUE MOTOR DESIGN, MICROSTEP LAMINATION, INTENDED FOR USE WITH 80VDC DRIVES WHEN WINDINGS CONNECTED IN PARALLEL AND WITH 160VDC DRIVES WHEN WINDINGS CONNECTED IN SERIES.
- THIS MOTOR TO BE MANUFACTURED IN COMPLIANCE WITH EU DIRECTIVE "ROHS 2002/95/EC".
- MOTOR LABEL TO INCLUDE "ROHS" COMPLIANT, "MADE IN (COUNTRY OF ORIGIN)" AND DATE CODE.
- CABLE GLAND TO BE NICKEL-PLATED BRASS, ASI P/N 3012215 OR EQUIVALENT.
- ENCODER 970-1001 INSTALLED PER AMP ASSEMBLY PRACTICES.
- ENCODER CABLE 3004-195-10 INCLUDED WITH MOTOR.
- OTHER TAPPED HOLES MAY BE PRESENT ON REAR OF MOTOR.

LABEL DETAIL



[1]

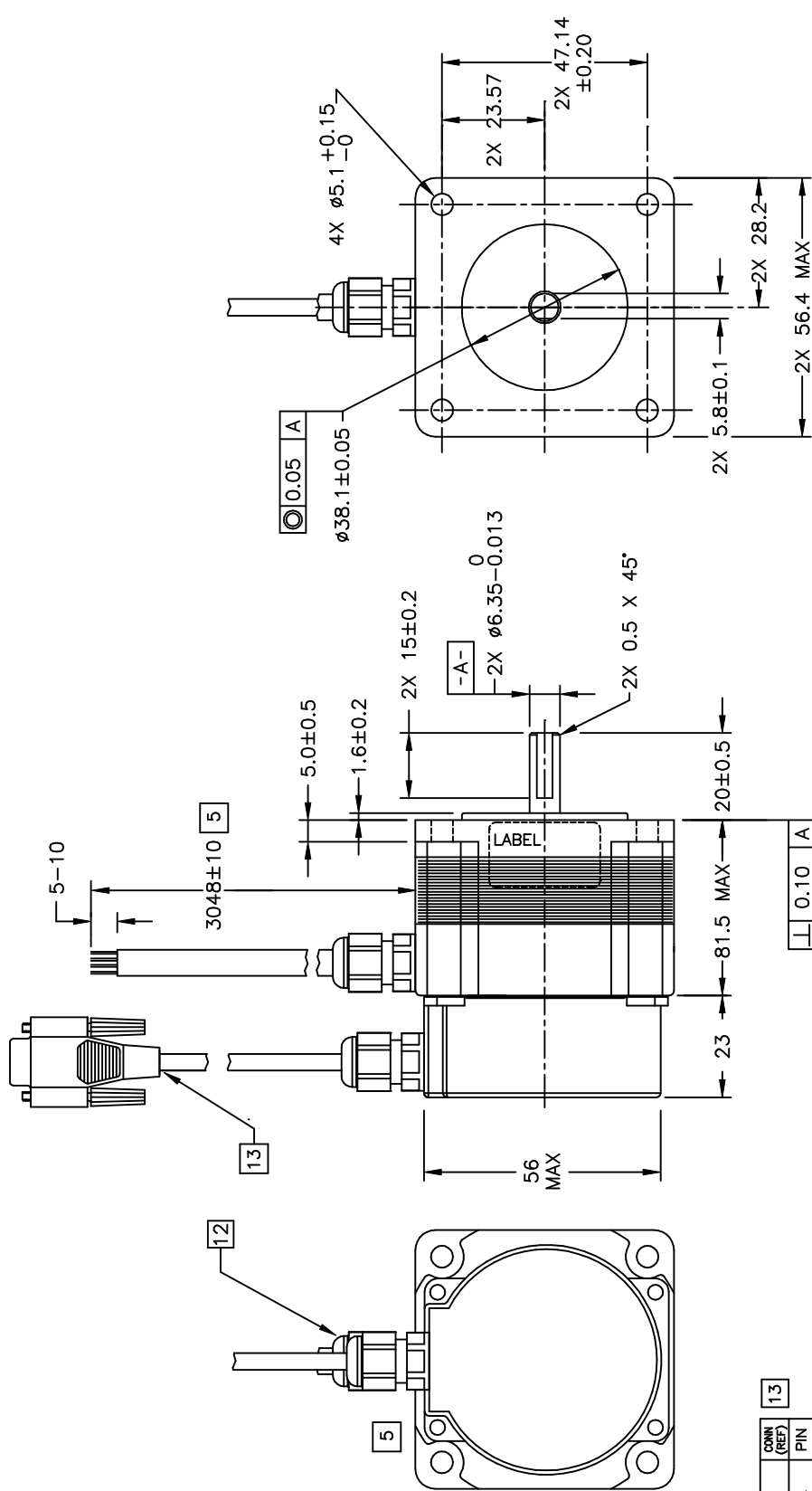


CONTRACT NO. -		APPLIED MOTION PRODUCTS, INC.	
APPROVALS	DATE	STEP MOTOR OUTLINE	
DRAWN R.JONBZ	10/10/13	B	COMPUTER DATA
CHECKED		B	BASE DRAWING
APPROVED		B	DWG NO. HT23-601DC-ZAC
APPROVED		B	REV A
SCALE: NONE		SHEET 1 OF 2	



STEP MOTOR OUTLINE

DWG NO. **HT23-601DC-ZAC** REV **A**
 SCALE: NONE SHEET 2 OF 2



TOLERANCES: MM (INCH)
 X.XXX = ± (.005)
 X.XX = ± 0.13 (.010)
 X.X = ± 0.25 (.020)

ANGLES:
 MACH. = ± 5°
 CHAM. = ± 5°

COMPUTER DATA
 BASE DRAWING

THIRD ANGLE PROJECTION

APPROVALS: *R. JONZZ* DATE: 10/10/13
 DRAWN: *R. JONZZ* CHECKED: APPROVED

CONNECTION TABLE	CONN (REF)	PIN
LEAD COLOR	SIGNAL	
BLUE	CH A	1
BLUE/WHITE	CH A-	2
YELLOW	CH B	3
YELL/WHITE	CH B-	4
ORANGE	INDEX	5
ORN/WHITE	INDEX-	6
-	N/A	9
-	N/A	10
-	N/A	13
-	N/A	14
-	N/A	11
-	N/A	12
RED	+Vcc	7
BLK	GND	8
DRAIN	SHIELD	15

