

**SPECIFICATIONS:**

STEPS PER REVOLUTION: 200	ROTOR INERTIA: 460 G-CM <sup>2</sup> (6.51E-03 oz-in-sec <sup>2</sup> )NOM
STEP ANGLE: 1.8°	DETENT TORQUE: 0.070 N-m (9.91 oz-in) MIN
STEP TO STEP ACCURACY: ±0.09 DEGREES [1], [2]	INSULATION CLASS: B
RADIAL PLAY: 0.02 mm MAX W/.5KG RADIAL LOAD	WEIGHT: 1.0 KG (2.2 LB)
TEMP. RISE: 80 °C MAX. [8]	OPERATING TEMP. RANGE: -20 TO +50 °C
RELATIVE HUMIDITY RANGE: 15 TO 85 %	STORAGE TEMP. RANGE: -30 TO +70 °C

	[3]	[7]	[1]	[1]	
SPECIFICATION	RESISTANCE PER PHASE OHM ±10%	INDUCTANCE PER PHASE mH ±20%	RATED CURRENT Amp	HOLDING TORQUE N-m Min	HOLDING TORQUE oz-in Min
BI-POLAR SERIES	2.0	6.8	2.12	1.90	269
BI-POLAR PARALLEL	0.5	1.7	4.24	1.90	269
UNI-POLAR	1.0	1.7	3.00	1.35	191

NOTES, UNLESS OTHERWISE SPECIFIED:

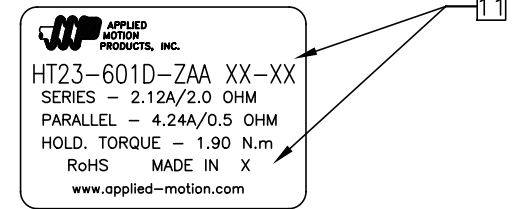
- [1] MEASUREMENTS MADE AT RATED CURRENT IN BOTH PHASES.
- [2] BETWEEN ANY TWO ADJACENT FULL STEP POSITIONS.
- [3] MEASUREMENTS MADE AT LEAD ENDS.
  - 4. HIPOT 500 VAC, 60 Hz FOR ONE MINUTE.
  - 5. LEADS: 8, 22 AWG, 7 STRAND MIN., UL AND CSA APPROVED, UL 1430 OR UL 3265.
  - 6. INSULATION RESISTANCE: 100 MEGOHMS MIN AT 500 VDC.
- [7] AS MEASURED ACROSS ANY WINDING USING AN A.C. INDUCTANCE BRIDGE, AT 1 kHz. MEASUREMENTS MADE AT LEAD ENDS.
- [8] AS MEASURED BY THE CHANGE IN RESISTANCE METHOD, WITH RATED VOLTAGE APPLIED TO 2 PHASES; WITH MOTOR AT REST.
- [9] ENCODER 970-1001 INSTALLED PER AMP ASSEMBLY PRACTICES. ENCODER CABLE SOLD SEPARATELY..
- 10. THIS MOTOR TO BE MANUFACTURED IN COMPLIANCE WITH EU DIRECTIVE "ROHS 2002/95/EC".
- [11] MOTOR LABEL TO INCLUDE "ROHS" COMPLIANT, 'MADE IN (COUNTRY OF ORIGIN)' AND DATE CODE.

HT23-601D-ZAA

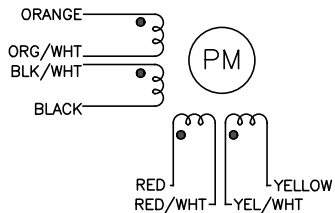
REVISIONS

ECO NO.	REV	DESCRIPTION	DATE	APPROVED
6941	A	INITIAL RELEASE	6/16/14	J KORDIK
8034	B	CHG REAR SHAFT LENGTH/TYPO	8/28/18	M.Maroney

LABEL DETAIL



WIRING DIAGRAM



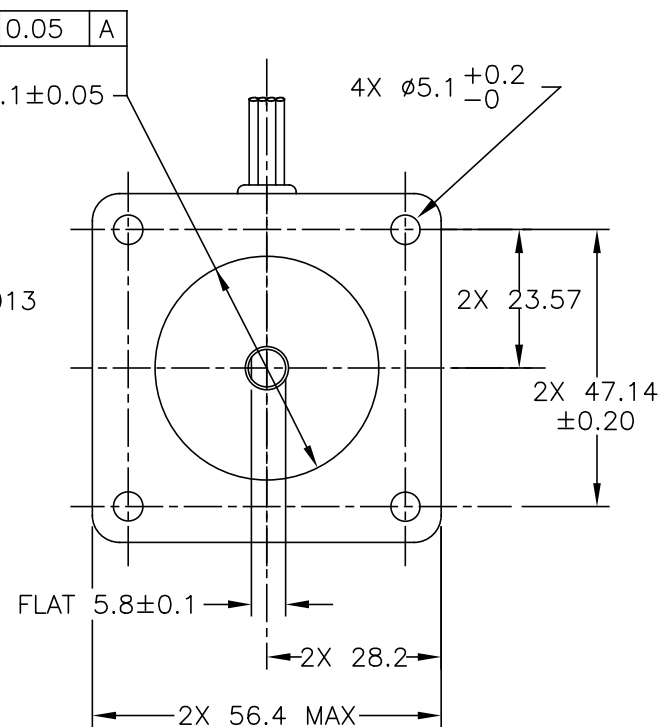
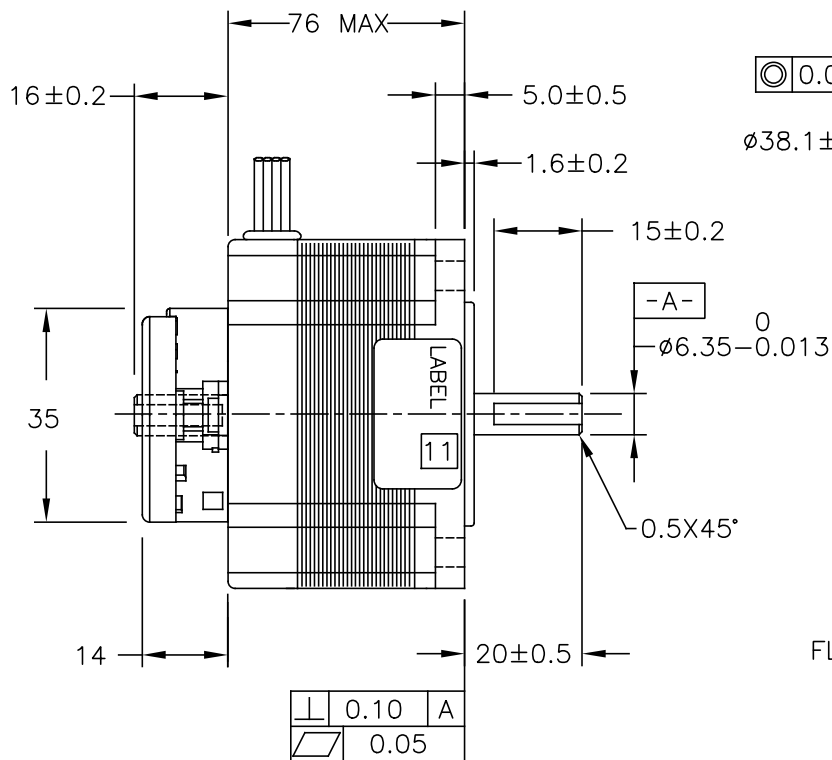
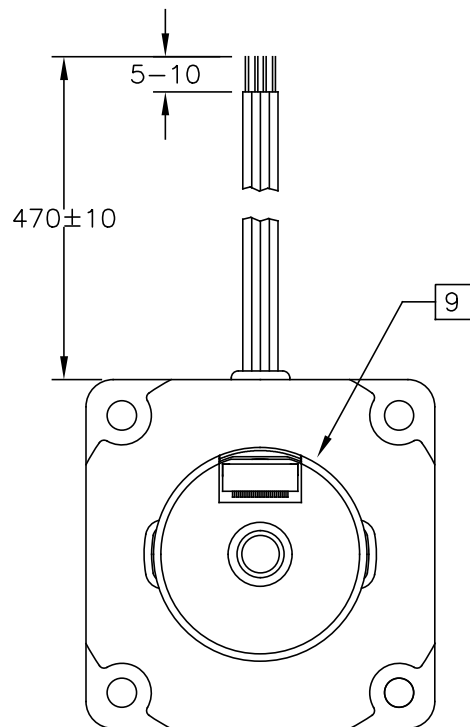
BI-POLAR, FULL STEP, 2 PHASE ON

STEP	ORANGE & BLK/WHT	BLACK & ORG/WHT	RED & YEL/WHT	YELLOW & RED/WHT
0	+	-	+	-
1	-	+	+	-
2	-	+	-	+
3	+	-	-	+
4	+	-	+	-

SWITCHING SEQUENCE FOR ROTATION FACING MOUNTING END.

CONTRACT NO. -		APPLIED MOTION PRODUCTS, INC.			
APPROVALS	DATE	<b>STEP MOTOR OUTLINE</b>			
DRAWN <i>R. JONEZ</i>	3/18/14				
CHECKED					
APPROVED					
APPROVED		B	COMPUTER DATA BASE DRAWING	DWG NO. HT23-601D-ZAA	REV B
SCALE: NONE		SHEET 1 OF 2			

# MOTOR DRAWING

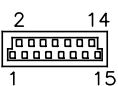


ENCODER RESOLUTION: 2000 cpr  
WITH MARKER PULSE.

## ENCODER PINOUTS

PIN	SIGNAL
1	CH A
2	CH A-
3	CH B
4	CH B-
5	INDEX
6	INDEX-
7	N/C
8	N/C
9	N/C
10	N/C
11	N/C
12	N/C
13	+Vcc
14	GND
15	N/C

9



TOLERANCES		THIRD ANGLE PROJECTION		APPLIED MOTION PRODUCTS, INC.	
DECIMALS: MM (INCH) X.XXX = ± (.005) X.XX = ±0.13 (.010) X.X = ±0.25 (.020)					
ANGLES: MACH. = ±5° CHAM. = ±5°		APPROVALS: _____ DATE: _____ DRAWN: <b>R. JONEZ</b> 3/18/14 CHECKED: _____			
COMPUTER DATA BASE DRAWING		APPROVED: _____		<b>STEP MOTOR OUTLINE</b>	
				B DWG NO. HT23-601D-ZAA	REV B
				SCALE: NONE	SHEET 2 OF 2