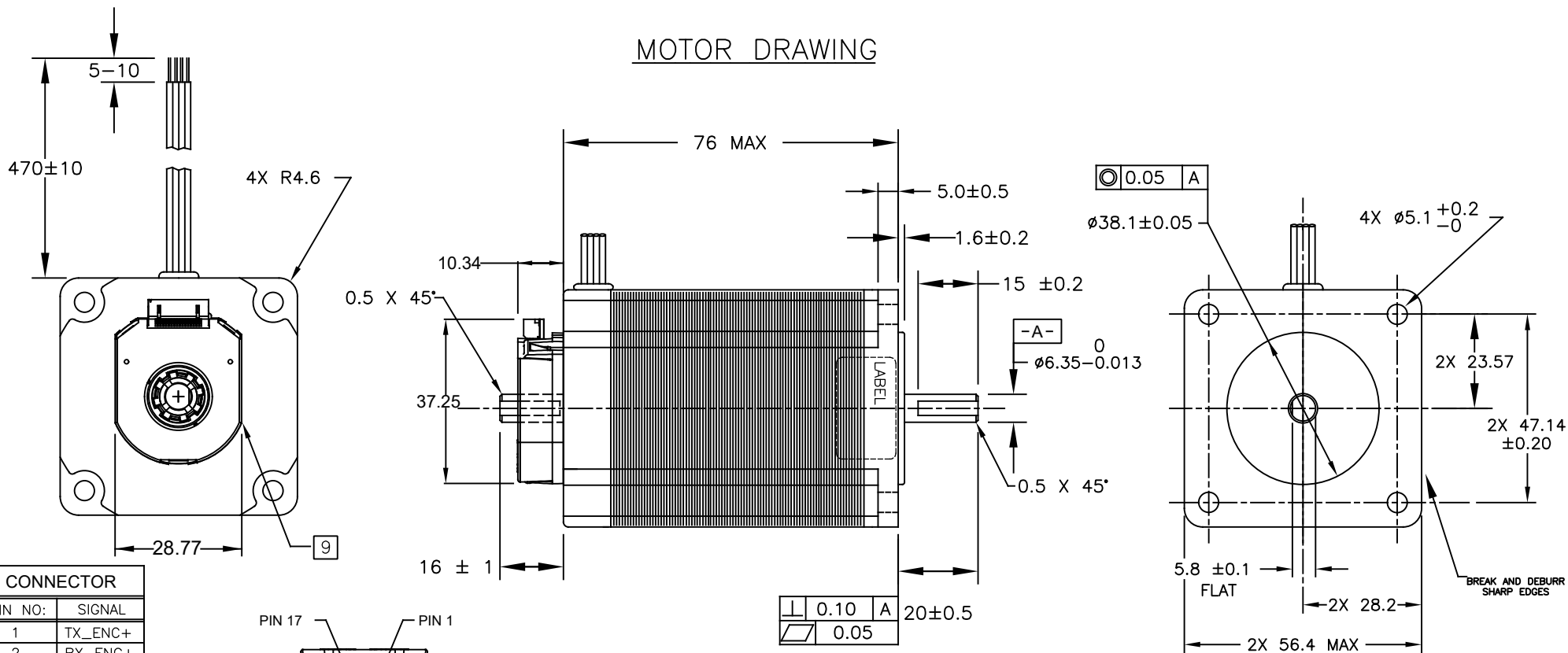
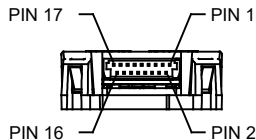




# MOTOR DRAWING



| CONNECTOR |         |
|-----------|---------|
| PIN NO:   | SIGNAL  |
| 1         | TX_ENC+ |
| 2         | RX_ENC+ |
| 3         | N/A     |
| 4         | GND     |
| 5         | N/A     |
| 6         | +5 V    |
| 7         | N/A     |
| 8         | B+      |
| 9         | B-      |
| 10        | A+      |
| 11        | A-      |
| 12        | Z+      |
| 13        | Z-      |
| 14        | MCLRB   |
| 15        | N/A     |
| 16        | N/A     |
| 17        | N/A     |



| TOLERANCES   |  | THIRD ANGLE PROJECTION  |                            | APPLIED MOTION PRODUCTS, INC. |  |
|--|--|---|----------------------------|-------------------------------|--|
| DECIMALS: MM<br>X.XXX = $\pm 0.013$<br>X.XX = $\pm 0.25$<br>X.X = $\pm 2.5$<br>ANGLES:<br>MACH. = $\pm 5^\circ$<br>CHAM. = $\pm 5^\circ$ |  |   |                            | <b>STEP MOTOR OUTLINE</b>     |  |
| COMPUTER DATA<br>BASE DRAWING  |  | APPROVALS<br>DRAWN: <i>N. DEY</i><br>CHECKED: <i>K. KESLER</i><br>APPROVED: | DATE<br>9/12/17<br>9/22/17 |                               |  |
|  |  | SCALE: 7:10   |                            | SHEET 2 OF 2                  |  |