

SPECIFICATIONS:

STEPS PER REVOLUTION: 200	ROTOR INERTIA: 135 G-CM ² (1.91E-3 oz-in-sec ²) NOM
STEP ANGLE: 1.8°	DETENT TORQUE: 0.022 N-m (3.11 OZ-IN) MIN
STEP TO STEP ACCURACY: ±0.09 DEGREES [1], [2]	INSULATION CLASS: B
RADIAL PLAY: 0.02mm MAX W/.5KG RADIAL LOAD	WEIGHT: 0.42 KG (0.93 LB)
TEMP. RISE: 80°C MAX. [8]	OPERATING TEMP. RANGE: -20 TO +50°C
RELATIVE HUMIDITY RANGE: 15 TO 85 %	STORAGE TEMP. RANGE: -30 TO +70 °C

SPECIFICATION CONNECTION	[3]	[7]	[1]	[1]	[1]
	RESISTANCE PER PHASE OHM ±10%	INDUCTANCE PER PHASE mH ±20%	RATED CURRENT Amp	HOLDING TORQUE N-m Min	HOLDING TORQUE oz-in Min
BI-POLAR SERIES	2.8	5.6	1.41	0.54	76.5
BI-POLAR PARALLEL	0.7	1.4	2.83	0.54	76.5
UNI-POLAR	1.4	1.4	2.00	0.39	55.2

NOTES, UNLESS OTHERWISE SPECIFIED:

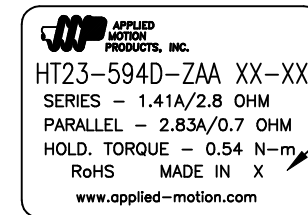
- [1] MEASUREMENTS MADE AT RATED CURRENT IN BOTH PHASES.
- [2] BETWEEN ANY TWO ADJACENT FULL STEP POSITIONS.
- [3] MEASUREMENTS MADE AT LEAD ENDS.
- 4. HIPOT 500 VAC, 60 Hz FOR ONE MINUTE.
- 5. LEADS: 8, 22 AWG, 7 STRAND MIN., UL AND CSA APPROVED, UL 1430 OR UL 3265.
- 6. INSULATION RESISTANCE: 100 MEGOHMS MIN AT 500 VDC.
- [7] AS MEASURED ACROSS ANY WINDING USING AN A.C. INDUCTANCE BRIDGE, AT 1 kHz. MEASUREMENTS MADE AT LEAD ENDS.
- [8] AS MEASURED BY THE CHANGE IN RESISTANCE METHOD, WITH RATED VOLTAGE APPLIED TO 2 PHASES; WITH MOTOR AT REST.
- [9] ENCODER 970-1001 INSTALLED PER AMP ASSEMBLY PRACTICES. ENCODER CABLE SOLD SEPARATELY..
- 10. THIS MOTOR TO BE MANUFACTURED IN COMPLIANCE WITH EU DIRECTIVE "ROHS 2002/95/EC".
- [11] MOTOR LABEL TO INCLUDE "ROHS" COMPLIANT, 'MADE IN (COUNTRY OF ORIGIN)' AND DATE CODE.

HT23-594D-ZAA

REVISIONS

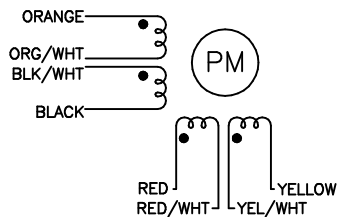
ECO NO.	REV	DESCRIPTION	DATE	APPROVED
6941	A	INITIAL RELEASE	6/16/14	J KORDIK

LABEL DETAIL



[11]

WIRING DIAGRAM



BI-POLAR, FULL STEP, 2 PHASE ON

STEP	ORANGE & BLK/WHT	BLACK & ORG/WHT	RED & YEL/WHT	YELLOW & RED/WHT
0	+	-	+	-
1	-	+	+	-
2	-	+	-	+
3	+	-	-	+
4	+	-	+	-

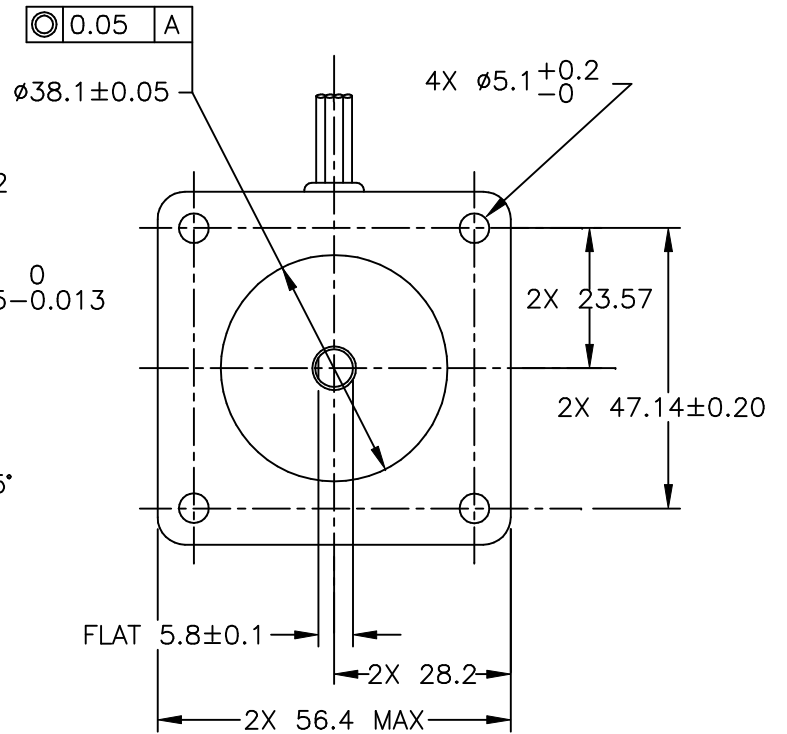
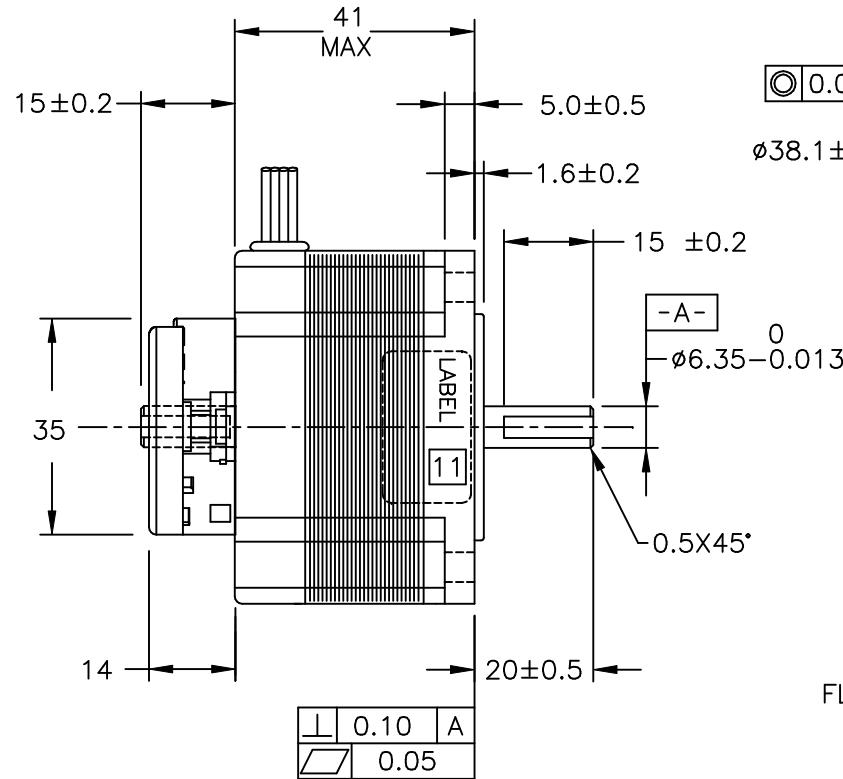
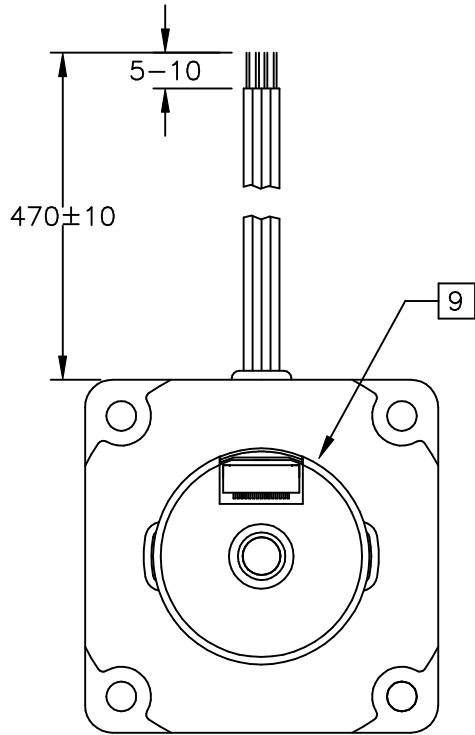
CW
↓

↑
CCW

SWITCHING SEQUENCE FOR ROTATION FACING MOUNTING END.

CONTRACT NO. -		APPLIED MOTION PRODUCTS, INC.		
APPROVALS	DATE	STEP MOTOR OUTLINE		
DRAWN <i>R.JONEZ</i>	<i>3/18/14</i>			
CHECKED		B	COMPUTER DATA BASE DRAWING	DWG NO. HT23-594D-ZAA
APPROVED			REV A	
APPROVED		SCALE: NONE		SHEET 1 OF 2

MOTOR DRAWING

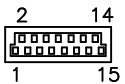


ENCODER RESOLUTION: 2000 cpr
WITH MARKER PULSE.

ENCODER PINOUTS

PIN	SIGNAL
1	CH A
2	CH A-
3	CH B
4	CH B-
5	INDEX
6	INDEX-
7	N/C
8	N/C
9	N/C
10	N/C
11	N/C
12	N/C
13	+Vcc
14	GND
15	N/C

9



TOLERANCES DECIMALS: MM (INCH) X.XXX = ± (.005) X.XX = ±0.13 (.010) X.X = ±0.25 (.020) ANGLES: MACH. = ±5° CHAM. = ±5°		THIRD ANGLE PROJECTION 			
APPROVALS DRAWN <i>R. JONEZ</i> CHECKED		DATE 3/18/14			
COMPUTER DATA BASE DRAWING		APPROVED		STEP MOTOR OUTLINE B DWG NO. HT23-594D-ZAA REV A	
		SCALE: NONE		SHEET 2 OF 2	